
SafeSeaNet System Interface Guide



**Location Data
exchange**

Document version: 1.19

Document release date: 07/02/2022

SSN_LocationData_Exchange compliant with XSD version: 2.00

XSD release date: 07/02/2022

TABLE OF CONTENTS

| | |
|---|-----------|
| TABLE OF CONTENTS | 2 |
| CHANGE CONTROL HISTORY | 3 |
| ABBREVIATIONS AND ACRONYMS | 4 |
| 1 INTRODUCTION | 6 |
| 1.1 DOCUMENT OVERVIEW | 6 |
| 1.2 SCOPE | 6 |
| 1.3 APPLICABLE CLD RELEASE | 6 |
| 2 SYSTEM INTERFACES | 7 |
| 2.1 SERVICES OVERVIEW | 7 |
| 2.2 MESSAGE FLOWS | 7 |
| 2.2.1 <i>Request/ Response</i> | 7 |
| 2.2.2 <i>Announcement</i> | 8 |
| 2.2.3 <i>Notification</i> | 10 |
| 2.2.4 <i>Retrieval</i> | 11 |
| 2.3 DATA EXCHANGE MECHANISM - CLARIFICATIONS | 12 |
| 2.3.1 <i>Data Provider Interface</i> | 12 |
| 2.3.2 <i>Data Requestor Interface</i> | 12 |
| 2.3.3 <i>Data Subscriber Interface</i> | 12 |
| 3 MESSAGES STRUCTURES AND BUSINESS RULES | 14 |
| 3.1 REQUEST/RESPONSE MECHANISM | 14 |
| 3.1.1 <i>Introduction</i> | 14 |
| 3.1.2 <i>Message flow</i> | 14 |
| 3.1.3 <i>MS2SSN_Location_Req message</i> | 14 |
| 3.1.4 <i>SSN2MS_Location_Res message</i> | 16 |
| 3.2 GET LOCATION LOGS FROM CLD | 22 |
| 3.2.1 <i>Introduction</i> | 22 |
| 3.2.2 <i>Message flow</i> | 22 |
| 3.2.3 <i>MS2SSN_LocationLog_Req message</i> | 22 |
| 3.2.4 <i>SSN2MS_LocationLog_Res message</i> | 24 |
| 3.3 ANNOUNCEMENT MECHANISM | 29 |
| 3.3.1 <i>Introduction</i> | 29 |
| 3.3.2 <i>Message flow</i> | 29 |
| 3.3.3 <i>MS2SSN_LocationAnn_Req message</i> | 30 |
| 3.3.4 <i>SSN2MS_LocationAnn_Res message</i> | 32 |
| 3.4 NOTIFICATION MECHANISM | 38 |
| 3.4.1 <i>Introduction</i> | 38 |
| 3.4.2 <i>Message flow</i> | 38 |
| 3.4.3 <i>MS2SSN_Location_Not message</i> | 38 |
| 3.5 SSN RECEIPT MESSAGE | 42 |
| 3.5.1 <i>Introduction</i> | 42 |
| 3.5.2 <i>Message flow</i> | 42 |
| 3.5.3 <i>SSN_Receipt.xml message</i> | 42 |
| 3.6 RETRIEVAL MECHANISM | 43 |
| 3.6.1 <i>Introduction</i> | 43 |
| 3.6.2 <i>Message flow</i> | 44 |
| 3.6.3 <i>SSN2ES_ListOfPRF_Res message</i> | 44 |
| 3.7 STATUS CODES AND STATUS MESSAGES | 46 |

| | | |
|--|----------------------|-----------|
| 3.7.1 | Introduction | 46 |
| 3.7.2 | Status codes | 46 |
| 3.7.3 | Status messages..... | 47 |
| ANNEX A - DESCRIPTION OF CLD LOCATION WEB-SERVICE | | 48 |
| ANNEX B – ATTRIBUTES AND SIMPLE TYPE DEFINITIONS..... | | 49 |
| ANNEX C– LIST OF APPLICATION CODES (INDICATIVE) | | 64 |
| ANNEX D – DEFINITION OF THE WASTE TYPE CODES | | 65 |

CHANGE CONTROL HISTORY

| Version | Date | Edited by | Description |
|---------|------------|----------------------------|---|
| 1.03 | 07/12/2017 | LZI, PDU | Initial version following EMSA review. |
| 1.05 | 25/09/2018 | Intrasoft International | Updated version following delivery of CLD version 1.0.0.1 including correction of defects reported under SAT for CLD version 1.0 (artf54537, artf54540, artf54859, artf54544, artf54535, artf54539, artf54533) and implementation of requirements: <ul style="list-style-type: none"> • COD shall use the CLD web service for searching locations based on the location name and/or country (artf53593). • Add criterion to search by location name in CLD web service (artf53598). • Remove 500 records limit for the responses provided as zipped base 64 file (artf53599) |
| 1.06 | 31/10/2018 | Intrasoft International | Updated SSN_Location_Exchange XSD version following delivery of CLD version 1.0.0.2 – Incorporated business rule for: <ul style="list-style-type: none"> • MS2SSN_LocationAnn_Req message: “A valid Body shall define the SearchCriteria or the CancelSubscription element”. |
| 1.07 | 05/12/2018 | Intrasoft International | Updated for CLD version 1.0.1. Updated description of messages exchange pattern. artf56477: FunctionsUNECE Type with INT instead of CHAR |
| 1.08 | 21/01/2019 | Intrasoft International | Updated for artf57767: ReplyTo wsa field and WSA Addressing to be removed; migration from SOAP 1.1 to SOAP 1.2 |

| | | | |
|------|------------|-------------------------|---|
| | | | artf57885: Removal of ESRefId and SSNRefId from the header |
| 1.09 | 01/02/2019 | Intrasoft International | EMSA changes checked / confirmed. |
| 1.12 | 16/07/2019 | Intrasoft International | Request for Services SC13 under FWC 15/EMSA/OP/18/2015: DDP Locations and Port Facilities support and improvements to the Textual interface (COD&CLD 1.2) |
| 1.13 | 26/07/2019 | Intrasoft International | EMSA comments implemented |
| 1.14 | 13/09/2019 | Intrasoft International | EMSA comments implemented |
| 1.15 | 04/01/2021 | European Dynamics | RFC COD-45 SSN_Location_Exchange.xsd updated: - PortFacilityDetailsType.Name length increased - PortFacilityDetailsType.Description length increased |
| 1.16 | 08/01/2021 | European Dynamics | EMSA comments addressed. |
| 1.17 | 21/12/2021 | European Dynamics | RFC COD-262 |
| 1.18 | 07/02/2022 | European Dynamics | Comments addressed |

ABBREVIATIONS AND ACRONYMS

| Abbreviation | Definition |
|---------------------|--|
| ACK | Acknowledged |
| AIS | Automatic Identification Systems |
| CLD | Central Location Database of SSN |
| EMSA | European Maritime Safety Agency |
| ES | External System |
| MS2SSN | Used to indicate an External System as the origin and SSN as the recipient of a message. |
| EU | European Union |
| GISIS | Global Integrated Shipping Information System (database maintained by IMO) |
| IMO | International Maritime Organisation |

| | |
|--------|--|
| ITU | International Telecommunications Commission |
| MMSI | Maritime Mobile Service Identity |
| MS | Member State |
| N/A | Not Applicable or Not Available |
| NACK | Not Acknowledged |
| OSD | Operational Ship Database |
| SSN | SafeSeaNet |
| SSN2MS | Used to indicate SSN as the origin and an External System as the recipient of a message. |
| URL | Unified Resource Locator |
| WADL | Web Application Description Language . It describes XML over HTTP interfaces |
| WSDL | Web Service Definition Language |
| XML | eXtensible Markup Language |

1 INTRODUCTION

1.1 Document Overview

This document describes the system-to-system interface of the Central Location Database (CLD) of SafeSeaNet (SSN). It serves as a reference for all technical aspects related to this service.

1.2 Scope

This document provides a detailed description of the system interface between external applications and CLD, which aims at exchanging notifications and requests for details concerning locations' information registered in CLD. The system interface uses the following messages:

- MS2SSN_Location_Not
- MS2SSN_Location_Req
- SSN2MS_Location_Res
- MS2SSN_LocationAnn_Req
- SSN2MS_LocationAnn_Res
- MS2SSN_LocationLog_Req
- SSN2MS_LocationLog_Res
- SSN_Receipt
- SSN2ES_ListOfPRF_Res

1.3 Applicable CLD release

This document is compliant with CLD version 1.6.0.

2 SYSTEM INTERFACES

2.1 Services Overview

The Central Location Database – CLD is a common service hosted by EMSA and available to all Member State applications and other EMSA applications (identified in this document as “External Systems”) on a voluntary basis.

The CLD includes information on locations (including UNECE UN/LOCODEs as well as SSN specific locations) and on port facilities coming from the IMO GISIS.

The CLD information is made available to External Systems, which may use it for cross-checking with similar data stored within their databases. For this purpose, CLD offers the following services:

- **Request/response mechanism:** to request locations details using different criterions (e.g. country of the Location, name of the location). The request/ response mechanism can also be used for retrieving a journal of changes of individual location records.
- **Location data announcement ("push"):** This service is used by the CLD to inform External Systems which have subscribed to the service of creation of new Locations or changes of existing Locations.
- **Location notification:** External Systems may use this service to notify CLD of new locations or of updates of locations.
- **Retrieval mechanism:** External Systems may use this service to retrieve from CLD a list of PRF.

2.2 Message flows

2.2.1 Request/ Response

The request/response mechanism for Location data involves the following flow of messages:

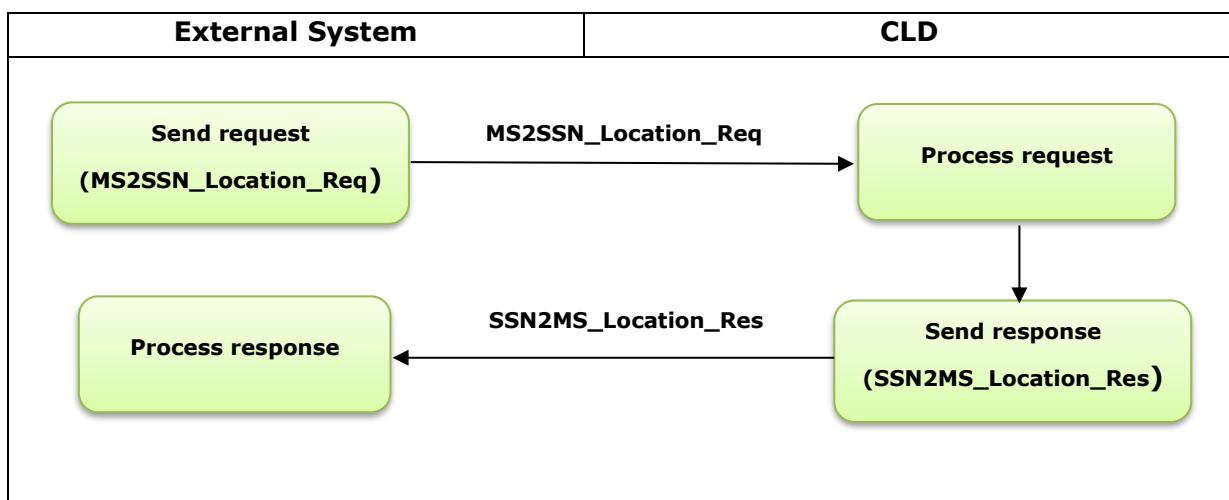


Figure 1: Message flow – Request / Response

It allows retrieving a list of location or a single location.

The process flow also applies to the **logs retrieval** service as depicted below.

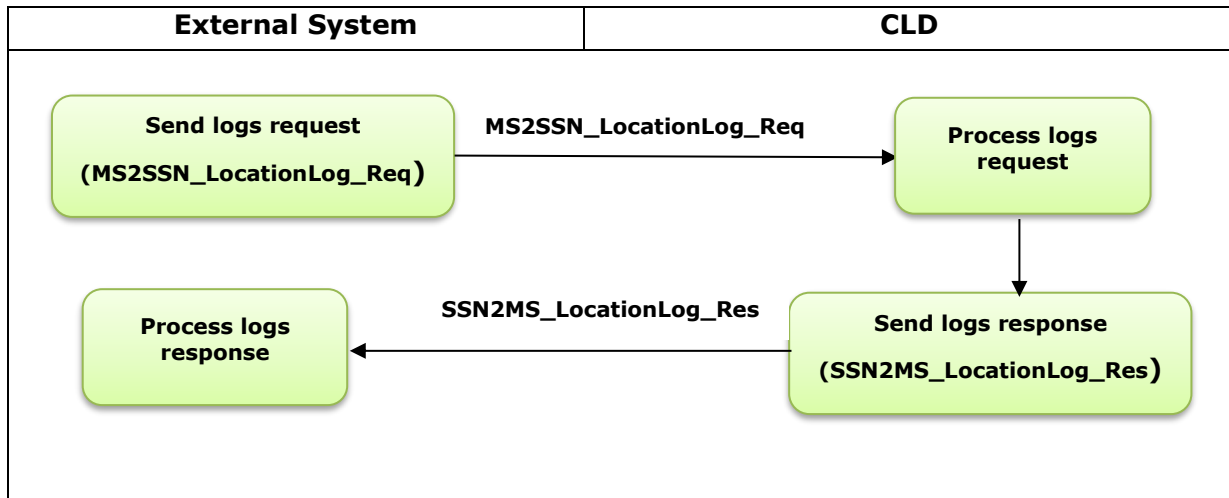


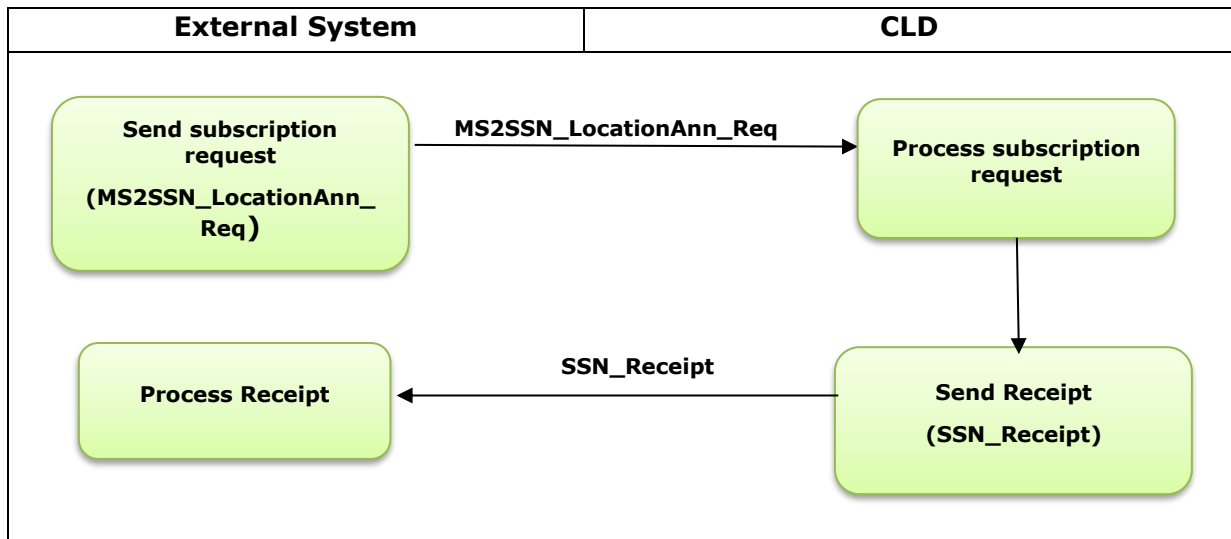
Figure 2: Message flow – Request/ Response for history of changes for a location in CLD

The message exchange flow is described in the following table.

| Step | Action |
|------|--|
| 1 | The external system (<i>data requestor</i>) prepares a MS2SSN_<SSN_Tx_Type>_Req message corresponding to the type of the information request and sends it to CLD. |
| 2 | <p>CLD logs and validates the received MS2SSN_<SSN_Tx_Type>_Req message.</p> <p>In unexpected cases that MS2SSN_<SSN_Tx_Type>_Req message is not well-formatted (not XML compliant) or not valid (not compliant to corresponding XSD), CLD system responds with a SOAP Fault message.</p> <p>If valid based on applicable business rules, CLD prepares a SSN2MS_<SSN_Tx_Type>_Res response message and sends it synchronously. The content of the response will comply with the criteria set in the request message.</p> <p>If any problem occurs during the processing of the request, the CLD sends back (synchronously) the SSN2MS_<SSN_Tx_Type>_Res message with a negative status code.</p> |
| 3 | The external system should log and validate the received message and process it. |

2.2.2 Announcement

The announcement mechanism involves a subscription request message flow and announcements message flow as follows:



The message exchange flow is shown in the following table.

| Step | Action |
|------|---|
| 1 | <p>A MS2SSN_LocationAnn_Req message is sent by the external system to CLD to</p> <ul style="list-style-type: none"> ➤ subscribe to the location announcement (data “push”) service or ➤ cancel an existing subscription. <p>The message provides</p> <ul style="list-style-type: none"> ➤ the data subscriber URL to where the announcement is to be sent; ➤ the optional parameters subscription’s criteria and time period (start and end date). |
| 2 | <p>Message processing:</p> <p>CLD logs and validates the received message.</p> <p>In unexpected cases that MS2SSN_LocationAnn_Req message is not well formatted (XML compliant) or not valid (not compliant to corresponding xsd), CLD system responds with a SOAP Fault message.</p> <p>If valid based on applicable business rules, an SSN_Receipt message with StatusCode=’OK’ is sent synchronously to the external system.</p> <p>If invalid based on applicable business rules, an SSN_Receipt message with StatusCode=’InvalidFormat’ is sent synchronously to the external system.</p> <p>If the system providing MS2SSN_LocationAnn_Req does not have CLD_SUBSCRIBER role or does not exist in the IdM V2, an SSN_Receipt message with StatusCode=’Access Denied’ is sent synchronously to the external system.</p> |

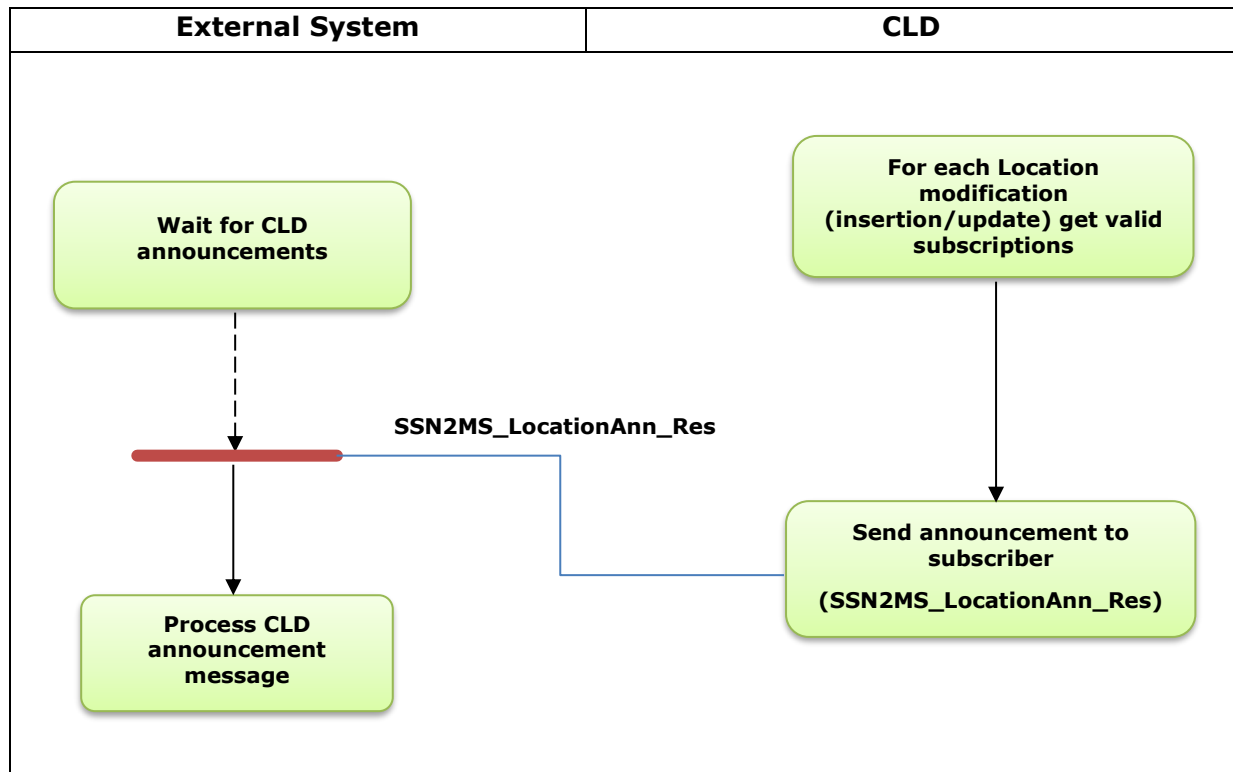


Figure 3: Message flows – Subscription for CLD data and CLD data announcement

The message exchange flow is shown in the following table.

| Step | Action |
|------|--|
| 1 | The announcement creation procedure is triggered on locations modification (create/update) by system and/or web interface. In addition, CLD regularly checks the locations data for modifications via the bulk update procedure (inserts and updates). For each modification, the CLD will check and retrieve the valid subscriptions. |
| 2 | A SSN2MS_LocationAnn_Res message is created with the inserted or modified location information and submitted to the subscriptions’ endpoint - one-way messages without a SOAP response. The HTTP response MUST be a 2xx status code and an empty HTTP body, aka no SOAP envelope. |
| 3 | A JMS Queue is used for redelivery purposes in case of unavailability. |
| 4 | Upon receipt of the SSN2MS_LocationAnn_Res message, the external system should log and process it. |

2.2.3 Notification

The Notification mechanism involves the following flow of messages:

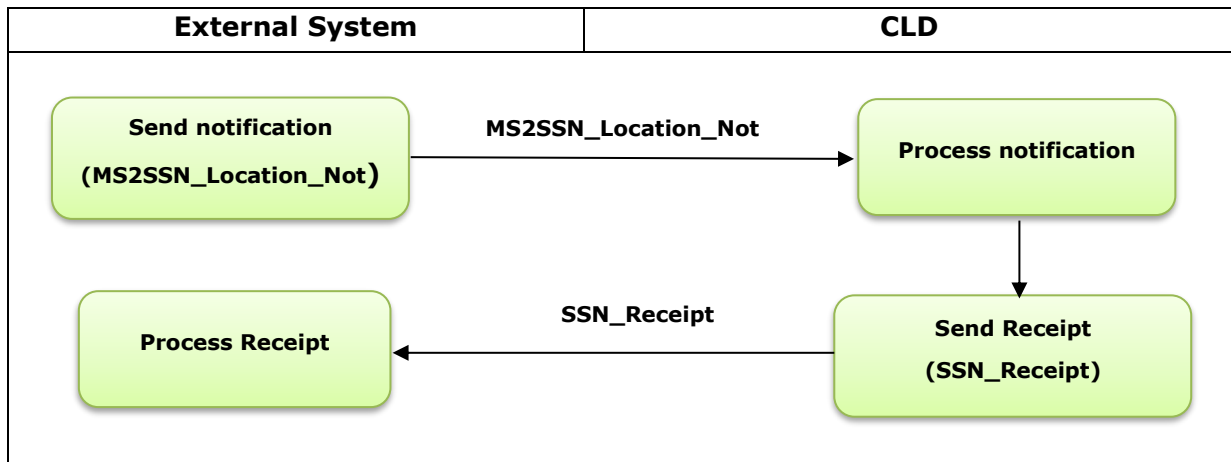


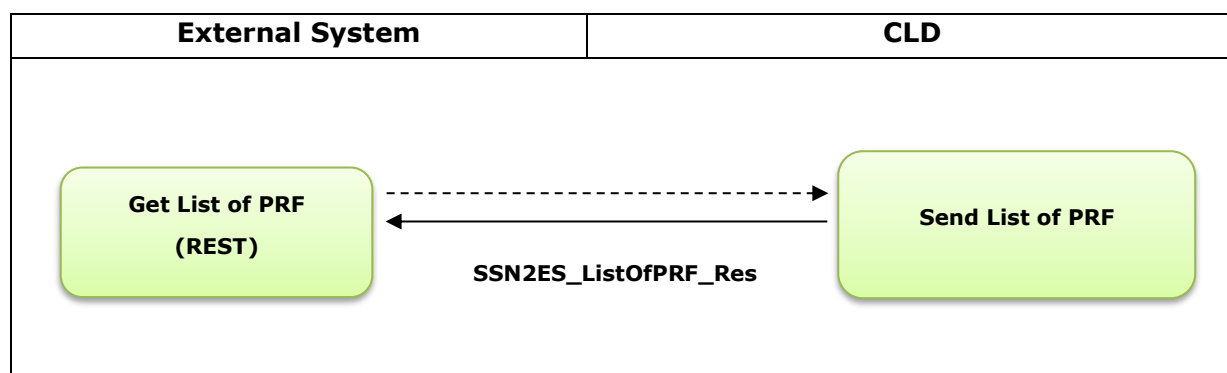
Figure 4: Message flows – Notification

The message exchange flow is shown in the following table.

| Step | Action |
|------|--|
| 1 | The External System prepares an MS2SSN_Location_Not message which includes the information for a Location to be stored or updated in CLD. |
| 2 | CLD logs and validates the notification message: <ul style="list-style-type: none"> • In unexpected cases that message is not well-formatted (not XML compliant) or not valid (not compliant to corresponding XSD), the CLD system responds with a SOAP Fault message. • If valid based on applicable business rules, it stores the notification information in its index database, and sends back an SSN_Receipt message with a positive status code as response (synchronous connection). • If invalid based on applicable business rules or any problem during the processing of the notification, it sends back an SSN_Receipt message with a negative status code as response (synchronous connection) • If system providing notification does not have CLD_NOTIFIER role or does not exist in the IdM V2, it sends back an SSN_Receipt message with access denied status code as response (synchronous connection) |
| 3 | The External System analyses the received SSN_Receipt message and processes it accordingly. |

2.2.4 Retrieval

The Retrieval mechanism involves the following flow of messages:



2.3 Data exchange mechanism - clarifications

Note: This section aims at clarifying further the content of CLD wsdl provided in Appendix A.

2.3.1 Data Provider Interface

Both ends act as nodes capable of processing SOAP 1.2 messages (over HTTP/s). The message types used are as follows:

- **MS2SSN_Location_Not**
- **SSN_Receipt**

For every notification, a request/response exchange pattern is used between each SOAP node where the SOAP response message is delivered as HTTP response, using the same connection as the inbound request.

2.3.2 Data Requestor Interface

Both ends act as nodes capable of processing SOAP 1.2 messages (over HTTP/s). The message types used are as follows:

- **MS2SSN_Location_Req**
- **SSN2MS_Location_Res**
- **MS2SSN_LocationLog_Req**
- **SSN2MS_LocationLog_Res**

For every request-response communication, a request/response exchange pattern is used between each SOAP node where the SOAP response message is delivered as HTTP response, using the same connection as the inbound request.

2.3.3 Data Subscriber Interface

Both ends act as nodes capable of processing SOAP 1.2 messages (over HTTP/s). The message types used are as follows:

- **MS2SSN_LocationAnn_Req**
- **SSN_Receipt**, used for confirmation by CLD of the receipt and processing of the **MS2SSN_LocationAnn_Req** message
- **SSN2MS_LocationAnn_Res**

For subscription registration, the request/response exchange pattern is used between each SOAP node where the SOAP response message (**SSN_Receipt**) is delivered as HTTP response, using the same connection as the inbound request.

The "Request Reply" interaction pattern is used for the subsequence of the announcements publishing. The subsequent message(s) (SSN2MS_LocationAnn_Res) sent from the destination of the registration request back to the source – i.e. one-way message connection is established to the subscriber SOAP node.

3 MESSAGES STRUCTURES AND BUSINESS RULES

3.1 Request/Response mechanism

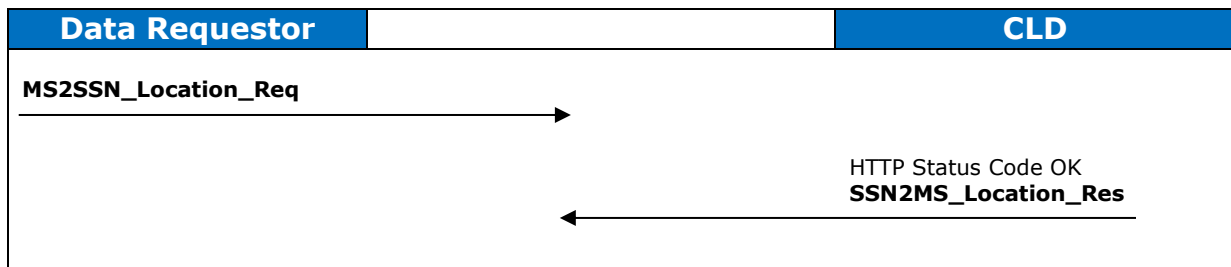
3.1.1 Introduction

The Request/Response mechanism is meant for External Systems to request the content of location records based on different criterions.

This section describes the different XML messages provided for this transaction.

3.1.2 Message flow

The following figure outlines the expected synchronous flow of XML messages related to this transaction.



In accordance with the applicable wsdl (refer to Annex A), the request (QueryOperation) operation is provided by CLD. It receives **MS2SSN_Location_Req** requests from data requestors and replies with **SSN2MS_Location_Res** responses.

3.1.3 MS2SSN_Location_Req message

The MS2SSN_Location_Req message is sent by an external system to request the details registered in the CLD for a specific location or a list of locations.

3.1.3.1 Message description

| MS2SSN_Location_Req Elements | Attributes | Occ |
|--|---|------------|
| Header (<i>location:HeaderType</i>) | | 1 |
| | Version (xs:string) | 1 |
| | TestId (xs:string) | 0-1 |
| | SentAt (xs:dateTime) | 1 |
| | From (xs:string) | 1 |
| | To (xs:string) | 1 |
| Body (<i>location:MS2SSN_LocationDetails_RequestBodyType</i>) | | 1 |
| LocationRequestCriteria (<i>location:LocationRequestCriteriaType</i>) | | 0-1 |
| | Searchby5digitLoCode (<i>location:ExactLoCodeType</i>) | 1 |
| | GISIScode (<i>location:GisisType</i>) | 0-1 |
| LocationListRequestCriteria (<i>location:LocationListRequestCriteriaType</i>) | | 0-1 |

| MS2SSN_Location_Req Elements | Attributes | Occ |
|------------------------------|--|-------------|
| | EncodeListYesOrNo (epc:YesNoEnumType) | 1 |
| | SearchByApplicationCode (location:ApplicationCodeType) | 0-1 |
| | SearchbyListOfCountryCode (location:SearchbyListOfCountryCodeType) | 0-1 |
| | CountryCode (epc:CountryCodeContentType) | 0-99 |
| | SearchForUpdates (location:SearchForUpdatesType) | 0-1 |
| | StartDateTime (xs:dateTime) | 1 |
| | EndDateTime (xs:dateTime) | 1 |
| | SearchByBip (epc:YesNoEnumType) | 0-1 |
| | SearchByTransshipmentPort (epc:YesNoEnumType) | 0-1 |
| | SearchByName (location:NameType) | 0-1 |
| | SearchByLocode (location:LoCodeType) | 0-1 |

3.1.3.2 Business rules

The following table describes the applicable business rules. The detailed definition of the attributes is included in Annex B.

| No | MS2SSN_Location_Req Element or Attribute | Action |
|----|--|--|
| 1 | From | Standard practice for the field is to include the reference identification of the originator of the data included in the message as defined in the IdM V2. |
| 2 | Body | A valid Body element shall include either the LocationRequestCriteria element or the LocationListRequestCriteria , not both. |
| 3 | Searchby5digitLoCode | Unique identifier of the location (concatenation of the 2-character ISO code of a country and a 3-character unique location identifier as defined by UNECE and/ or in SSN). |
| 4 | GISIScode | If GISIScode is included in the LocationRequestCriteria, the Searchby5digitLoCode should be included too |
| 5 | EncodeListYesOrNo | If the value of the attribute is set to Yes , the response will be provided in Base64 |
| 6 | SearchByApplicationCode | Search criterion for the locations currently active in the maritime application specified by the application code/acronym. |
| 7 | SearchbyListOfCountryCode | Search criterion for the locations belonging to the list of countries. |
| 8 | SearchForUpdates | The search period. |
| 9 | SearchByBip | Search criterion for the locations approved as EU Border Inspection Posts. |
| 10 | SearchByTransshipmentPort | Search criterion for the locations where transshipment or landing operations of fishery products are authorized. |
| 11 | SearchByName | Search criterion for the locations for which the name with diacritics, or the name without diacritics, or any of the other location names, contains a pattern match of the input string. |

| No | MS2SSN_Location_Req Element or Attribute | Action |
|----|--|--|
| 12 | <i>SearchByLocode</i> | Search criterion for the locations for which the LoCode contains a pattern match of the input string. |
| 13 | <i>Version</i> | <p>Defines the v1.0 or v2.0 version used.</p> <p>If the Version attribute is 1.0 the reply will not contain the new data group about Port Reception Facilities.</p> <p>If the Version attribute is 2.0 the reply will include the new data group about Port Reception Facilities.</p> <p>Any other value will cause the application to return an error of InvalidFormat and mention that the version requested in the header is not supported.</p> |

3.1.3.3 Example

Example of a request message:

```
<soapenv:Envelope xmlns:soapenv="http://www.w3.org/2003/05/soap-envelope"
xmlns:urn="urn:eu.emsa.ssn.location">
  <soapenv:Header />
  <soapenv:Body>
    <urn:MS2SSN_Location_Req>
      <urn:Header Version="1.0" SentAt="2016-04-22T09:40:29Z" From="THETIS" To="SSN"/>
      <urn:Body><!--Optional:-->
        <urn:LocationRequestCriteria>
          <!--Optional:-->
          <urn:Searchby5digitLoCode>GRPIR</urn:Searchby5digitLoCode>
          <!--Optional:-->
          <urn:GISISCode>0027</urn:GISISCode>
        </urn:LocationRequestCriteria>
      </urn:Body>
    </urn:MS2SSN_Location_Req>
  </soapenv:Body>
</soapenv:Envelope>
```

3.1.4 SSN2MS_Location_Res message

The **SSN2MS_Location_Res** message is the response sent by CLD system to an external system which has requested location details from CLD using a **MS2SSN_Location_Req** message.

3.1.4.1 Message description Message description

| SSN2MS_Location_Res Elements | Attributes | Occ |
|---|---|----------|
| Header (<i>location:Header1Type</i>) | | 1 |
| | Version (xs:string) | 1 |
| | TestId (xs:string) | 0-1 |
| | SentAt (xs:dateTime) | 1 |
| | From (xs:string) | 1 |
| | To (xs:string) | 1 |
| | StatusCode (<i>location:StatusCodeEnumType</i>) | 1 |
| | StatusMessage (xs:string) | 0-1 |

| SSN2MS_Location_Res Elements | Attributes | Occ |
|--|---|-------------|
| Body (<i>location:SSN2MS_LocationDetails_ResponseBodyType</i>) | | 0-1 |
| LocationsListEncoded (<i>location:LocationsListEncodedType</i>) | | 0-1 |
| | ZippedLocationListInBase64 (<i>xs:base64Binary</i>) | 0-1 |
| LocationsListInXML (<i>location:LocationsListInXMLType</i>) | | 0-1 |
| LocationDetails (<i>location:LocationResponseDetailsType</i>) | | 0-∞ |
| CreatedOn (<i>complex</i>) | | 1 |
| | CreatedOn (<i>xsd:dateTime</i>) | 1 |
| | CreatedBy (<i>location:CreatedByType</i>) | 1 |
| LastUpdatedOn (<i>complex</i>) | | 0-1 |
| | LastUpdatedOn (<i>xsd:dateTime</i>) | 1 |
| | LastUpdatedBy (<i>location:CreatedByType</i>) | 1 |
| IsActive (<i>epc:YesNoEnumType</i>) | | 1 |
| Digit5LoCode (<i>location:Digit5LoCodeType</i>) | | 1 |
| | LoCode (<i>location:ExactLoCodeType</i>) | 1 |
| LocationNameWithDiacritics (<i>location:NameType</i>) | | 0-1 |
| LocationNameWithoutDiacritics (<i>location:NameType</i>) | | 1 |
| Comments (<i>epc:string</i>) | | 0-1 |
| CountryCode (<i>epc:CountryCodeContentType</i>) | | 1 |
| Type (<i>location:LocationTypeEnumType</i>) | | 1 |
| FunctionsUNECE (<i>location:FunctionsUNECEType</i>) | | 0-8 |
| | Function (<i>location:Length1Type</i>) | 1 |
| LocationPosition (<i>epc:PositionType</i>) | | 0-1 |
| | Latitude (<i>epc:LatitudeType</i>) | 1 |
| | Longitude (<i>epc:LongitudeType</i>) | 1 |
| LocationAreas (<i>location:CGDAreaType</i>) | | 0-10 |
| | Name (<i>epc:string</i>) | 0-1 |
| | Category (<i>epc:string</i>) | 0-1 |
| | ReferenceKey (<i>epc:token</i>) | 1 |
| | Description (<i>epc:string</i>) | 0-1 |
| AlternativeLocationNames (<i>location:AlternativeLocationNamesType</i>) | | 0-1 |
| LocName1 (<i>location:LocationNamesType</i>) | | 0-1 |
| | LocName (<i>location:NameType</i>) | 1 |
| | LastUpdateDetails (<i>location>LastUpdateDetailsType</i>) | 1 |
| | LastUpdatedOn (<i>xsd:dateTime</i>) | 1 |
| | LastUpdatedBy (<i>location:CreatedByType</i>) | 1 |
| LocName2 (<i>location:LocationNamesType</i>) | | 0-1 |
| | LocName (<i>location:NameType</i>) | 1 |
| | LastUpdateDetails (<i>location>LastUpdateDetailsType</i>) | 1 |
| | LastUpdatedOn (<i>xsd:dateTime</i>) | 1 |
| | LastUpdatedBy (<i>location:CreatedByType</i>) | 1 |
| LocName3 (<i>location:LocationNamesType</i>) | | 0-1 |

| SSN2MS_Location_Res Elements | Attributes | Occ |
|--|---|---------------|
| | LocName (location:NameType) | 1 |
| | LastUpdateDetails (location>LastUpdateDetailsType) | 1 |
| | LastUpdatedOn (xsd:dateTime) | 1 |
| | LastUpdatedBy (location:CreatedByType) | 1 |
| LocName4 (location:LocationNamesType) | | 0-1 |
| | LocName (location:NameType) | 1 |
| | LastUpdateDetails (location>LastUpdateDetailsType) | 1 |
| | LastUpdatedOn (xsd:dateTime) | 1 |
| | LastUpdatedBy (location:CreatedByType) | 1 |
| PortFacility (location:PortFacilityType) | | 0-500 |
| | LastUpdateDetails (location>LastUpdateDetailsType) | 1 |
| | LastUpdatedOn (xsd:dateTime) | 1 |
| | LastUpdatedBy (location:CreatedByType) | 1 |
| UNECESubsiaryLocation (epc:UNLoCodeContentType) | | 0-1 |
| PortFacilityDetails (location:PortFacilityDetailsType) | | 0-1 |
| | Name (location:Length1000Type) | 1 |
| | Description (location:Length2500Type) | 1 |
| | LoCode (location:LoCodeType) | 1 |
| | GISIScode (location:GisisType) | 1 |
| | Position (epc:PositionType) | 0-1 |
| | Latitude (epc:LatitudeType) | 1 |
| Longitude (epc:LongitudeType) | 1 | |
| PortReceptionFacility (location:PortReceptionFacilityType) | | 0-5000 |
| | LastUpdateDetails (location>LastUpdateDetailsType) | 1 |
| | LastUpdatedOn (xsd:dateTime) | 1 |
| | LastUpdatedBy (location:CreatedByType) | 1 |
| EMSAPRFID (location:EmsaPrfIdType) | | 1 |
| WasteType (location:Min3Max4LengthType) | | 1 |
| TypeOfFacility (location:TypeOfFacilityType) | | 1-4 |
| | FacilityType (location:Length100Type) | 1 |
| | FacilityTypeDescription (location:Length150Type) | 0-1 |
| ServiceProvider (location:ServiceProviderType) | | |
| | ServiceProviderName (location:Length300Type) | 1 |
| | ServiceProviderAddress (location:Length750Type) | 0-1 |
| | ServiceProviderTelephone (location:Length50Type) | 0-1 |
| | ServiceProviderFax (location:Length50Type) | 0-1 |
| | ServiceProviderTelex (location:Length50Type) | 0-1 |
| | ServiceProviderEmail (location:Length100Type) | 0-1 |
| | ServiceProviderWebsite (location:Length300Type) | 0-1 |
| Discharge restriction/limitations (location:DischargeRestrictionLimitationsType) | | 0-1 |

| SSN2MS_Location_Res Elements | | Attributes | Occ |
|------------------------------|--|---|-------------|
| | | MinimumQuantity (location:Integer19Decimal4Digits) | 0-1 |
| | | MaximumQuantity (location:Integer19Decimal4Digits) | 0-1 |
| | | MaximumDischargeRate (location:Integer19Decimal4Digits) | 0-1 |
| | | Other (location:Length500Type) | 0-1 |
| | | AvailabilityOfReceptionFacility (location:Length100Type) | 0-1 |
| | | AvailabilityOfReceptionFacilityDescription (location:Length350Type) | 0-1 |
| | | MinimumPriorNotice (location:Min1Max999IntType) | 0-1 |
| | | ChargingSystem (location:Length100Type) | 0-1 |
| | | ChargingSystemDescription (location:Length500Type) | 0-1 |
| | | AdditionalInformation (location:Length1000Type) | 0-1 |
| | | SSNSubsidiaryLocations (location:SSNSubsidiaryLocationsType) | 0-99 |
| | | LoCode (epc:UNLoCodeContentType) | 1 |
| | | LastUpdateDetails (location>LastUpdateDetailsType) | 1 |
| | | LastUpdatedOn (xsd:dateTime) | 1 |
| | | LastUpdatedBy (location:CreatedByType) | 1 |
| | | InSeca (epc:YesNoEnumType) | 0-1 |
| | | LocationAttributes (location:LocationAttributesType) | 0-1 |
| | | Bip (epc:YesNoEnumType) | 1 |
| | | TransshipmentPort(epc:YesNoEnumType) | 1 |
| | | InEU (epc:YesNoEnumType) | 0-1 |
| | | ActiveInlist (location:ActiveInlistType) | 0-1 |
| | | ApplicationUsingLocation (CompexType) | 1-99 |
| | | Name (location:ApplicationCodeType) | 1 |
| | | IsActive (epc:YesNoEnumType) | 1 |
| | | LastUpdatedOn (xs:dateTime) | 0-1 |

3.1.4.2 Business rules

The following table describes the XML message used for the transaction and the applicable business rules. The detailed definition of the attributes is included in Annex B.

| No | SSN2MS_Location_Res Element or Attribute | Action |
|----|--|--|
| 1 | Header | <ol style="list-style-type: none"> Standard practice for the To field is to include the reference identification of the requestor of the data defined in the corresponding request message. Standard practice for the FROM field is to identify "SSN" as the provider of the response message. |

| No | SSN2MS_Location_Res Element or Attribute | Action |
|----|--|--|
| 2 | <i>Body</i> | <ol style="list-style-type: none"> 1. A valid body, if included in the response, will include the data concerning a single location or a list of locations conforming with the criteria of the request. 2. No quotation of the <i>Body</i> in the response signifies that the search query in the CLD database returned no results. 3. The response shall retrieve and provide all the data registered in the CLD at the timestamp of the SentAt for the location (s) listed in the response message 4. The results limit will be removed for the CLD responses provided as zipped base 64 file. |
| 3 | <i>PortReceptionFacility</i> | <ol style="list-style-type: none"> 1. If the Version attribute is 1.0 the reply will not contain PortReceptionFacility element. 2. If the Version attribute is 2.0 the reply will include the PortReceptionFacility element. |

3.1.4.3 Example

Example of a full body SSN2MS_Location_Res message:

```
<S:Envelope xmlns:env="http://www.w3.org/2003/05/soap-envelope" xmlns:S="http://www.w3.org/2003/05/soap-envelope">
  <env:Header/>
  <S:Body>
    <ns0:SSN2MS_Location_Res xmlns="http://www.iso.org/28005-2" xmlns:ns0="urn:eu.emsa.ssn.location">
      <ns0:Header Version="2.0" TestId="a" SentAt="2022-02-08T15:47:11.931Z" From="SSN"
      To="XX_CLD_REQUESTOR" StatusCode="OK"/>
      <ns0:Body>
        <ns0:LocationsListInXML>
          <ns0:LocationDetails>
            <ns0:LocationNameWithDiacritics>PERF_CLD_PRE_CONDITION_3453891960191</ns0:LocationNameWithDiacritics>
            <ns0:LocationNameWithoutDiacritics>PERF_CLD_PRE_CONDITION_3453891960191</ns0:LocationNameWithoutDiacritics>
            <ns0:Comments>COMMENT</ns0:Comments>
            <ns0:CountryCode>ZZ</ns0:CountryCode>
            <ns0:Type>1</ns0:Type>
            <ns0:FunctionsUNECE Function="1"/>
            <ns0:FunctionsUNECE Function="2"/>
            <ns0:LocationPosition>
              <Latitude>50.000000</Latitude>
              <Longitude>50.000000</Longitude>
            </ns0:LocationPosition>
            <ns0:AlternativeLocationNames>
              <ns0:LocName1>
                <ns0:LocName>ALT2_3453891960191</ns0:LocName>
                <ns0:LastUpdateDetails>
                  <ns0:LastUpdatedOn>2022-02-08T05:19:16.433Z</ns0:LastUpdatedOn>
                  <ns0:LastUpdatedBy>XX_CLD_NOTIFIER</ns0:LastUpdatedBy>
                </ns0:LastUpdateDetails>
              </ns0:LocName1>
              <ns0:LocName2>
                <ns0:LocName>ALT3_3453891960191</ns0:LocName>
                <ns0:LastUpdateDetails>
                  <ns0:LastUpdatedOn>2022-02-08T05:19:16.433Z</ns0:LastUpdatedOn>
                  <ns0:LastUpdatedBy>XX_CLD_NOTIFIER</ns0:LastUpdatedBy>
                </ns0:LastUpdateDetails>
              </ns0:LocName2>
              <ns0:LocName3>
                <ns0:LocName>ALT4_3453891960191</ns0:LocName>
                <ns0:LastUpdateDetails>
                  <ns0:LastUpdatedOn>2022-02-08T05:19:16.433Z</ns0:LastUpdatedOn>
```

```

        <ns0:LastUpdatedBy>XX_CLD_NOTIFIER</ns0:LastUpdatedBy>
    </ns0:LastUpdateDetails>
</ns0:LocName3>
<ns0:LocName4>
    <ns0:LocName>ALT_3453891960191</ns0:LocName>
    <ns0:LastUpdateDetails>
        <ns0:LastUpdatedOn>2022-02-08T05:19:16.433Z</ns0:LastUpdatedOn>
        <ns0:LastUpdatedBy>XX_CLD_NOTIFIER</ns0:LastUpdatedBy>
    </ns0:LastUpdateDetails>
</ns0:LocName4>
</ns0:AlternativeLocationNames>
<ns0:PortFacility>
    <ns0:PortFacilityDetails>
        <ns0:Name>PERF_PORT_FACILITY_D9X75AYKAZ</ns0:Name>
        <ns0:Description>DESCRIPTION</ns0:Description>
        <ns0:LoCode>ZZ100</ns0:LoCode>
        <ns0:GISISCode>1000</ns0:GISISCode>
        <ns0:Position>
            <Latitude>0.050000</Latitude>
            <Longitude>-0.050000</Longitude>
        </ns0:Position>
    </ns0:PortFacilityDetails>
    <ns0:LastUpdateDetails>
        <ns0:LastUpdatedOn>2022-02-08T05:19:16.433Z</ns0:LastUpdatedOn>
        <ns0:LastUpdatedBy>XX_CLD_NOTIFIER</ns0:LastUpdatedBy>
    </ns0:LastUpdateDetails>
</ns0:PortFacility>
<ns0:SSNSubsiaryLocations>
    <ns0:LoCode>100</ns0:LoCode>
    <ns0:LastUpdateDetails>
        <ns0:LastUpdatedOn>2022-01-14T17:22:28Z</ns0:LastUpdatedOn>
        <ns0:LastUpdatedBy>XX_TEST</ns0:LastUpdatedBy>
    </ns0:LastUpdateDetails>
</ns0:SSNSubsiaryLocations>
<ns0:InSeca>N</ns0:InSeca>
<ns0:LocationAttributes Bip="N" TranshipmentPort="N"/>
<ns0:PortReceptionFacility EMSAPRFID="PRF_ZZ100_1000" WasteType="101">
    <ns0:LastUpdateDetails>
        <ns0:LastUpdatedOn>2022-02-08T05:19:16.433Z</ns0:LastUpdatedOn>
        <ns0:LastUpdatedBy>SSN</ns0:LastUpdatedBy>
    </ns0:LastUpdateDetails>
    <ns0:TypeOffacility FacilityType="Fixed"/>
    <ns0:TypeOffacility FacilityType="Other" FacilityTypeDescription="Other"/>
    <ns0:ServiceProvider ServiceProviderName="service provider"
ServiceProviderAddress="Service Provider Address 11" ServiceProviderTelephone="1234567890"
ServiceProviderFax="1234567890" ServiceProviderTelex="1234567890" ServiceProviderEmail="email@email.test"
ServiceProviderWebsite="website.website"/>
        <ns0:DischargeRestrictionLimitations MinimumQuantity="10" MaximumQuantity="15"
MaximumDischargeRate="5" Other="Other" AvailabilityOfReceptionFacility="Other"
AvailabilityOfReceptionFacilityDescription="Other availability description" MinimumPriorNotice="24"
ChargingSystem="Other" ChargingSystemDescription="Other charging description"
AdditionalInformation="Additional Information"/>
    </ns0:PortReceptionFacility>
    <ns0:LocationAreas ReferenceKey="16" Name="MRS_italy.shp_5" Category="VTS"
Description="VTS Bonifacio"/>
    <ns0:ActiveInlist>
        <ns0:ApplicationUsingLocation Name="CLD" IsActive="Y" LastUpdatedOn="2022-02-
08T05:19:16.433Z"/>
        <ns0:ApplicationUsingLocation Name="THETIS" IsActive="Y" LastUpdatedOn="2022-02-
08T05:19:16.433Z"/>
        <ns0:ApplicationUsingLocation Name="SSN" IsActive="Y" LastUpdatedOn="2022-02-
08T05:19:16.433Z"/>
    </ns0:ActiveInlist>
    <ns0:DatabaseRecordInfo>
        <ns0:CreatedOn CreatedOn="2022-02-08T05:19:16.433Z" CreatedBy="XX_CLD_NOTIFIER"/>
        <ns0:LastUpdatedOn LastUpdatedOn="2022-02-08T05:19:16.433Z"
LastUpdatedBy="XX_CLD_NOTIFIER"/>
        <ns0:IsActive>N</ns0:IsActive>
    </ns0:DatabaseRecordInfo>
    <ns0:Digit5LoCode>

```

```

        <ns0:LoCode>ZZ100</ns0:LoCode>
      </ns0:Digit5LoCode>
    </ns0:LocationDetails>
  </ns0:LocationsListInXML>
</ns0:Body>
</ns0:SSN2MS_Location_Res>
</S:Body>
</S:Envelope>

```

3.2 Get Location logs from CLD

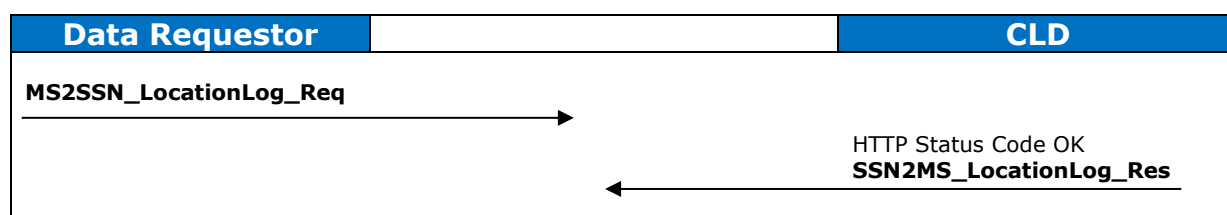
3.2.1 Introduction

An external system can request a journal of changes (the “logs”) of the details of an individual Location during a time period.

This section describes the different XML messages provided for this transaction.

3.2.2 Message flow

The following figure outlines the expected synchronous flow of XML messages related to this transaction.



In accordance with the applicable wsdl (refer to Annex A), the request (QueryOperation) operation is provided by the CLD. It receives **MS2SSN_LocationLog_Req** requests from external systems and replies with **SSN2MS_LocationLog_Res** responses.

3.2.3 MS2SSN_LocationLog_Req message

The **MS2SSN_LocationLog_Req** message is sent by an external system to request the logs of changes of a specific Location record registered in the CLD.

3.2.3.1 Message description

| MS2SSN_LocationLog_Req Elements | Attributes | Occ |
|---|--|------------|
| Header (<i>location:HeaderType</i>) | | 1 |
| | Version (xs:string) | 1 |
| | TestId (xs:string) | 0-1 |
| | SentAt (xs:dateTime) | 1 |
| | From (xs:string) | 1 |
| | To (xs:string) | 1 |
| Body (<i>location:MS2SSN_SingleLocationLogs_RequestBodyType</i>) | | 0-1 |
| | SingleLocationLogsRequest (<i>location:SingleLocationLogsRequestType</i>) | 1 |
| | Searchby5digitLoCode (<i>location:ExactLoCodeType</i>) | 1 |

| MS2SSN_LocationLog_Req Elements | | Attributes | Occ |
|---------------------------------|--|---|------------|
| | | GISIScode (location:GisisType) | 0-1 |
| | | SearchLogsPeriod (location:SearchLogsPeriodType) | 0-1 |
| | | StartDateTime (xs:dateTime) | 1 |
| | | EndDateTime (xs:dateTime) | 0-1 |

3.2.3.2 Business rules

The following table describes the XML message used for the transaction and the applicable business rules. The detailed definition of the attributes is included in Annex B.

| No | MS2SSN_LocationLog_Req Element or Attribute | Action |
|----|---|---|
| 1 | From | Standard practice for the field is to include the reference identification of the originator of the data included in the message as defined in the IdM V2. |
| 2 | Body | <p>A valid Body element shall include the SingleLocationLogsRequest with at least the Searchby5digitLoCode defined or the Searchby5digitLoCode and GISIScode defined (messages quoting only the GISIScode are invalid)</p> <p>The request will always return the logs concerning a single location or (in the case that both Searchby5digitLoCode and GISIScode defined are defined in the request, a single port facility within a port.</p> |
| 3 | SearchLogsPeriod element | <ol style="list-style-type: none"> StartDateTime will be a time within maximum 60 calendar days in the past with respect to SentAt timestamp of the request message. EndDateTime will be a timestamp: <ul style="list-style-type: none"> Within maximum 60 calendar days in the past with respect to SentAt timestamp of the request message. It may be equal to the SentAt timestamp, or Equal to SentAt timestamp EndDateTime > StartDateTime (If EndDateTime is not provided, the value of EndDateTime to be considered for the search will be the SentAt timestamp |
| 4 | Version Attribute | <p>Defines the v1.0 or v2.0 version used.</p> <p>If the Version attribute is 1.0 the reply will be aligned with the previous schema, thus it will not contain the new data group about Port Reception Facilities.</p> <p>If the Version attribute is 2.0 the reply will be aligned with the new schema, thus it will include the new data group about Port Reception Facilities.</p> |

3.2.3.3 Example

Example of an MS2SSN_LocationLog_Req message:

```
<soapenv:Envelope xmlns:soapenv="http://www.w3.org/2003/05/soap-envelope"
xmlns:urn="urn:eu.emsa.ssn.location">
```

```

<soapenv:Header/>
<soapenv:Body>
  <urn:MS2SSN_LocationLog_Req>
    <urn:Header Version="1.0" SentAt="2019-01-21T09:41:20Z" From="nswitrom1" To="SSN"/>
    <urn:Body>
      <urn:SingleLocationLogsRequest>
        <urn:Searchby5digitLoCode>GRPIR</urn:Searchby5digitLoCode>
        <urn:GISISCode>0027</urn:GISISCode>
        <urn:SearchLogsPeriod StartDateTime="2018-12-11T00:00:01" EndDateTime="2019-01-21T09:41:20"/>
      </urn:SingleLocationLogsRequest>
    </urn:Body>
  </urn:MS2SSN_LocationLog_Req>
</soapenv:Body>
</soapenv:Envelope>

```

3.2.4 SSN2MS_LocationLog_Res message

The **SSN2MS_LocationLog_Res** message is sent by CLD to an external system which has requested the logs of changes to a particular Location record in the CLD using a **MS2SSN_LocationLog_Req** message.

3.2.4.1 Message description

| SSN2MS_LocationLog_Res Elements | Attributes | Occ |
|--|---|------------|
| Header (<i>location:Header1Type</i>) | | 1 |
| | Version (xs:string) | 1 |
| | TestId (xs:string) | 0-1 |
| | SentAt (xs:dateTime) | 1 |
| | From (xs:string) | 1 |
| | To (xs:string) | 1 |
| | StatusCode (<i>location:StatusCodeEnumType</i>) | 1 |
| | StatusMessage (xs:string) | 0-1 |
| Body (<i>location:SSN2MS_LocationLogs_ResponseBodyType</i>) | | 0-1 |
| LocationLogsListInXML (<i>location:LocationsListInXMLType</i>) | | 0-1 |
| LocationLogsDetails (<i>location:LocationResponseDetailsType</i>) | | 0-∞ |
| DatabaseRecordInfo (<i>location:DatabaseRecordInfoType</i>) | | 1 |
| CreatedOn (<i>complex</i>) | | 1 |
| | CreatedOn (xsd:dateTime) | 1 |
| | CreatedBy (<i>location:CreatedByType</i>) | 1 |
| LastUpdateOn (<i>complex</i>) | | 0-1 |
| | LastUpdatedOn (xsd:dateTime) | 1 |
| | LastUpdatedBy (<i>location:CreatedByType</i>) | 1 |
| IsActive (<i>epc:YesNoEnumType</i>) | | 1 |
| Digit5LoCode (<i>location:Digit5LoCodeType</i>) | | 1 |
| | LoCode (<i>location:ExactLoCodeType</i>) | 1 |
| LocationNameWithDiacritics (<i>location:NameType</i>) | | 0-1 |
| LocationNameWithoutDiacritics (<i>location:NameType</i>) | | 1 |
| Comments (<i>epc:string</i>) | | 0-1 |

| SSN2MS_LocationLog_Res Elements | Attributes | Occ |
|---------------------------------|---|--------------|
| | CountryCode (epc:CountryCodeContentType) | 1 |
| | Type (location:LocationTypeEnumType) | 1 |
| | FunctionsUNECE (location:FunctionsUNECEType) | 0-8 |
| | Function (location:Length1Type) | 1 |
| | LocationPosition (epc: PositionType) | 0-1 |
| | Latitude (epc:LatitudeType) | 1 |
| | Longitude (epc:LongitudeType) | 1 |
| | LocationAreas (location:CGDAreaType) | 0-10 |
| | Name (epc:string) | 0-1 |
| | Category (epc:string) | 0-1 |
| | ReferenceKey (epc:token) | 1 |
| | Description (epc:string) | 0-1 |
| | AlternativeLocationNames (location:AlternativeLocationNamesType) | 0-1 |
| | LocName1 (location:LocationNamesType) | 0-1 |
| | LocName (location:NameType) | 1 |
| | LastUpdateDetails (location>LastUpdateDetailsType) | 1 |
| | LastUpdatedOn (xsd:dateTime) | 1 |
| | LastUpdatedBy (location:CreatedByType) | 1 |
| | LocName2 (location:LocationNamesType) | 0-1 |
| | LocName (location:NameType) | 1 |
| | LastUpdateDetails (location>LastUpdateDetailsType) | 1 |
| | LastUpdatedOn (xsd:dateTime) | 1 |
| | LastUpdatedBy (location:CreatedByType) | 1 |
| | LocName3 (location:LocationNamesType) | 0-1 |
| | LocName (location:NameType) | 1 |
| | LastUpdateDetails (location>LastUpdateDetailsType) | 1 |
| | LastUpdatedOn (xsd:dateTime) | 1 |
| | LastUpdatedBy (location:CreatedByType) | 1 |
| | LocName4 (location:LocationNamesType) | 0-1 |
| | LocName (location:NameType) | 1 |
| | LastUpdateDetails (location>LastUpdateDetailsType) | 1 |
| | LastUpdatedOn (xsd:dateTime) | 1 |
| | LastUpdatedBy (location:CreatedByType) | 1 |
| | PortFacility (location:PortFacilityType) | 0-500 |
| | LastUpdateDetails (location>LastUpdateDetailsType) | 1 |
| | LastUpdatedOn (xsd:dateTime) | 1 |
| | LastUpdatedBy (location:CreatedByType) | 1 |
| | UNECESubsiaryLocation (epc:UNLoCodeContentType) | 0-1 |
| | PortFacilityDetails (location:PortFacilityDetailsType) | 0-1 |
| | Name (location:Length1000Type) | 1 |

| SSN2MS_LocationLog_Res Elements | | Attributes | Occ |
|---------------------------------|--|--|---------------|
| | | Description (location:Length2500Type) | 1 |
| | | LoCode (location:LoCodeType) | 1 |
| | | GISIScode (location:GisisType) | 1 |
| | | Position (epc:PositionType) | 0-1 |
| | | Latitude (epc:LatitudeType) | 1 |
| | | Longitude (epc:LongitudeType) | 1 |
| | | PortReceptionFacility (location:PortReceptionFacilityType) | 0-5000 |
| | | LastUpdateDetails (location>LastUpdateDetailsType) | 1 |
| | | LastUpdatedOn (xsd:dateTime) | 1 |
| | | LastUpdatedBy (location:CreatedByType) | 1 |
| | | EMSAPRFID (location:EmsaPrfIdType) | 1 |
| | | WasteType (location:Min3Max4LengthType) | 1 |
| | | TypeOfFacility (location:TypeOfFacilityType) | 1-4 |
| | | FacilityType (location:Length100Type) | 1 |
| | | FacilityTypeDescription (location:Length150Type) | 0-1 |
| | | ServiceProvider (location:ServiceProviderType) | 1 |
| | | ServiceProviderName (location:Length300Type) | 1 |
| | | ServiceProviderAddress (location:Length750Type) | 0-1 |
| | | ServiceProviderTelephone (location:Length50Type) | 0-1 |
| | | ServiceProviderFax (location:Length50Type) | 0-1 |
| | | ServiceProviderTelex (location:Length50Type) | 0-1 |
| | | ServiceProviderEmail (location:Length100Type) | 0-1 |
| | | ServiceProviderWebsite (location:Length300Type) | 0-1 |
| | | DischargeRestrictionLimitations (location:DischargeRestrictionLimitationsType) | 0-1 |
| | | MinimumQuantity (location:Integer19Decimal4Digits) | 0-1 |
| | | MaximumQuantity (location:Integer19Decimal4Digits) | 0-1 |
| | | MaximumDischargeRate (location:Integer19Decimal4Digits) | 0-1 |
| | | Other (location:Length500Type) | 0-1 |
| | | AvailabilityOfReceptionFacility (location:Length100Type) | 0-1 |
| | | AvailabilityOfReceptionFacilityDescription (location:Length350Type) | 0-1 |
| | | MinimumPriorNotice (location:Min1Max999IntType) | 0-1 |
| | | ChargingSystem (location:Length100Type) | 0-1 |
| | | ChargingSystemDescription (location:Length500Type) | 0-1 |
| | | AdditionalInformation (location:Length1000Type) | 0-1 |
| | | SSNSubsidiaryLocations (location:SSNSubsidiaryLocationsType) | 0-99 |
| | | LoCode (epc:UNLoCodeContentType) | 1 |
| | | LastUpdateDetails (location>LastUpdateDetailsType) | 1 |
| | | LastUpdatedOn (xsd:dateTime) | 1 |

| SSN2MS_LocationLog_Res Elements | | Attributes | Occ |
|---------------------------------|--|---|-------------|
| | | LastUpdatedBy (location:CreatedByType) | 1 |
| | | InSeca (epc:YesNoEnumType) | 0-1 |
| | | LocationAttributes (location:LocationAttributesType) | 0-1 |
| | | Bip (epc:YesNoEnumType) | 1 |
| | | TransshipmentPort (epc:YesNoEnumType) | 1 |
| | | InEU (epc:YesNoEnumType) | 0-1 |
| | | ActiveInlist (location:ActiveInlistType) | 0-1 |
| | | ApplicationUsingLocation (CompexType) | 1-99 |
| | | Name (location:ApplicationCodeType) | 1 |
| | | IsActive (epc:YesNoEnumType) | 1 |

3.2.4.2 Business rules

The following table describes the XML message used for the transaction and the applicable business rules. The detailed definition of the attributes is included in Annex B.

| No | SSN2MS_LocationLog_Res Element or Attribute | Action |
|----|---|--|
| 1 | Header | <ol style="list-style-type: none"> Standard practice for the To field is to include the reference identification of the resuestor of the data defined in the corresponding request message. Standard practice for the FROM field is to identify "SSN" as the provider of the response message. |
| 2 | Body | A valid body, if included in the response, will include the data concerning a list reporting the changes made to a single location or a single port facility . Each repetition of the <i>LocationLogsDetails</i> element in the list return reports the data registered in CLD at the date identified by the LastUpdatedOn date time within the LocationLofDetails element |
| 3 | PortReceptionFacility | <ol style="list-style-type: none"> If the Version attribute is 1.0 the reply will not contain PortReceptionFacility element. If the Version attribute is 2.0 the reply will include the PortReceptionFacility element. |

3.2.4.3 Example

Example of a full body SSN2MS_LocationLog_Res message:

```
<S:Envelope xmlns:env="http://www.w3.org/2003/05/soap-envelope" xmlns:S="http://www.w3.org/2003/05/soap-envelope">
  <env:Header/>
  <S:Body>
    <ns0:SSN2MS_LocationLog_Res xmlns="http://www.iso.org/28005-2" xmlns:ns0="urn:eu.emsa.ssn.location">
      <ns0:Header Version="2.0" TestId="a" SentAt="2022-02-08T16:22:21.653Z" From="SSN"
To="XX_CLD_REQUESTOR" StatusCode="OK"/>
      <ns0:Body>
        <ns0:LocationLogsListInXML>
          <ns0:LocationLogsDetails>
            <ns0:LocationNameWithDiacritics>PERF_CLD_PRE_CONDITION_4424979244126</ns0:LocationNameWithDiacritics>
```

```
<ns0:LocationNameWithoutDiacritics>PERF_CLD_PRE_CONDITION_4424979244126</ns0:LocationNameWithoutDiacritics>
  <ns0:Comments>COMMENT</ns0:Comments>
  <ns0:CountryCode>ZZ</ns0:CountryCode>
  <ns0:Type>0</ns0:Type>
  <ns0:FunctionsUNECE Function="1"/>
  <ns0:FunctionsUNECE Function="2"/>
  <ns0:LocationPosition>
    <Latitude>50.000000</Latitude>
    <Longitude>50.000000</Longitude>
  </ns0:LocationPosition>
  <ns0:AlternativeLocationNames>
    <ns0:LocName1>
      <ns0:LocName>ALT3_PERF_CLD_PRE_CONDITION_4424979244126</ns0:LocName>
      <ns0:LastUpdateDetails>
        <ns0:LastUpdatedOn>2022-02-08T06:21:49.776Z</ns0:LastUpdatedOn>
        <ns0:LastUpdatedBy>XX_CLD_NOTIFIER</ns0:LastUpdatedBy>
      </ns0:LastUpdateDetails>
    </ns0:LocName1>
    <ns0:LocName2>
      <ns0:LocName>ALT4_PERF_CLD_PRE_CONDITION_4424979244126</ns0:LocName>
      <ns0:LastUpdateDetails>
        <ns0:LastUpdatedOn>2022-02-08T06:21:49.776Z</ns0:LastUpdatedOn>
        <ns0:LastUpdatedBy>XX_CLD_NOTIFIER</ns0:LastUpdatedBy>
      </ns0:LastUpdateDetails>
    </ns0:LocName2>
    <ns0:LocName3>
      <ns0:LocName>ALT2_PERF_CLD_PRE_CONDITION_4424979244126</ns0:LocName>
      <ns0:LastUpdateDetails>
        <ns0:LastUpdatedOn>2022-02-08T06:21:49.776Z</ns0:LastUpdatedOn>
        <ns0:LastUpdatedBy>XX_CLD_NOTIFIER</ns0:LastUpdatedBy>
      </ns0:LastUpdateDetails>
    </ns0:LocName3>
    <ns0:LocName4>
      <ns0:LocName>ALT_PERF_CLD_PRE_CONDITION_4424979244126</ns0:LocName>
      <ns0:LastUpdateDetails>
        <ns0:LastUpdatedOn>2022-02-08T06:21:49.776Z</ns0:LastUpdatedOn>
        <ns0:LastUpdatedBy>XX_CLD_NOTIFIER</ns0:LastUpdatedBy>
      </ns0:LastUpdateDetails>
    </ns0:LocName4>
  </ns0:AlternativeLocationNames>
  <ns0:PortFacility>
    <ns0:PortFacilityDetails>
      <ns0:Name>PERF_PORT_FACILITY_WYT8E9AQ7H</ns0:Name>
      <ns0:Description>DESCRIPTION</ns0:Description>
      <ns0:LoCode>ZZ000</ns0:LoCode>
      <ns0:GISISCode>1000</ns0:GISISCode>
      <ns0:Position>
        <Latitude>0.050000</Latitude>
        <Longitude>-0.050000</Longitude>
      </ns0:Position>
    </ns0:PortFacilityDetails>
    <ns0:LastUpdateDetails>
      <ns0:LastUpdatedOn>2022-02-08T06:21:49.776Z</ns0:LastUpdatedOn>
      <ns0:LastUpdatedBy>XX_CLD_NOTIFIER</ns0:LastUpdatedBy>
    </ns0:LastUpdateDetails>
  </ns0:PortFacility>
  <ns0:SSNSubsidiaryLocations>
    <ns0:LoCode>000</ns0:LoCode>
    <ns0:LastUpdateDetails>
      <ns0:LastUpdatedOn>2022-01-14T17:22:28Z</ns0:LastUpdatedOn>
      <ns0:LastUpdatedBy>XX_TEST</ns0:LastUpdatedBy>
    </ns0:LastUpdateDetails>
  </ns0:SSNSubsidiaryLocations>
  <ns0:InSeca>N</ns0:InSeca>
  <ns0:LocationAttributes Bip="N" TranshipmentPort="N"/>
  <ns0:PortReceptionFacility EMSAPRFID="PRF_ZZ000_1000" WasteType="101">
    <ns0:LastUpdateDetails>
      <ns0:LastUpdatedOn>2022-02-08T06:21:49.776Z</ns0:LastUpdatedOn>
      <ns0:LastUpdatedBy>SSN</ns0:LastUpdatedBy>
    </ns0:LastUpdateDetails>
  </ns0:PortReceptionFacility>
```

```

        </ns0:LastUpdateDetails>
        <ns0:TypeOfFacility FacilityType="Other" FacilityTypeDescription="Other"/>
        <ns0:TypeOfFacility FacilityType="Fixed"/>
        <ns0:ServiceProvider ServiceProviderName="service provider"
ServiceProviderAddress="Service Provider Address 11" ServiceProviderTelephone="1234567890"
ServiceProviderFax="1234567890" ServiceProviderTelex="1234567890" ServiceProviderEmail="email@email.test"
ServiceProviderWebsite="website.website"/>
        <ns0:DischargeRestrictionLimitations MinimumQuantity="10" MaximumQuantity="15"
MaximumDischargeRate="5" Other="Other" AvailabilityOfReceptionFacility="Other"
AvailabilityOfReceptionFacilityDescription="Other availability description" MinimumPriorNotice="24"
ChargingSystem="Other" ChargingSystemDescription="Other charging description"
AdditionalInformation="Additional Information"/>
    </ns0:PortReceptionFacility>
    <ns0:LocationAreas ReferenceKey="16" Name="MRS_italy.shp_5" Category="VTS"
Description="VTS Bonifacio"/>
    <ns0:ActiveInlist>
    <ns0:ApplicationUsingLocation Name="THETIS" IsActive="Y" LastUpdatedOn="2022-02-
08T06:21:49.776Z"/>
    <ns0:ApplicationUsingLocation Name="CLD" IsActive="Y" LastUpdatedOn="2022-02-
08T06:21:49.776Z"/>
    <ns0:ApplicationUsingLocation Name="SSN" IsActive="Y" LastUpdatedOn="2022-02-
08T06:21:49.776Z"/>
    </ns0:ActiveInlist>
    <ns0:DatabaseRecordInfo>
    <ns0:CreatedOn CreatedOn="2022-02-08T06:21:49.776Z" CreatedBy="XX_CLD_NOTIFIER"/>
    <ns0:LastUpdatedOn LastUpdatedOn="2022-02-08T06:21:49.776Z"
LastUpdatedBy="XX_CLD_NOTIFIER"/>
    <ns0:IsActive>N</ns0:IsActive>
    </ns0:DatabaseRecordInfo>
    <ns0:Digit5LoCode>
    <ns0:LoCode>ZZ000</ns0:LoCode>
    </ns0:Digit5LoCode>
    </ns0:LocationLogsDetails>
    </ns0:LocationLogsListInXML>
    </ns0:Body>
    </ns0:SSN2MS_LocationLog_Res>
    </S:Body>
</S:Envelope>

```

3.3 Announcement mechanism

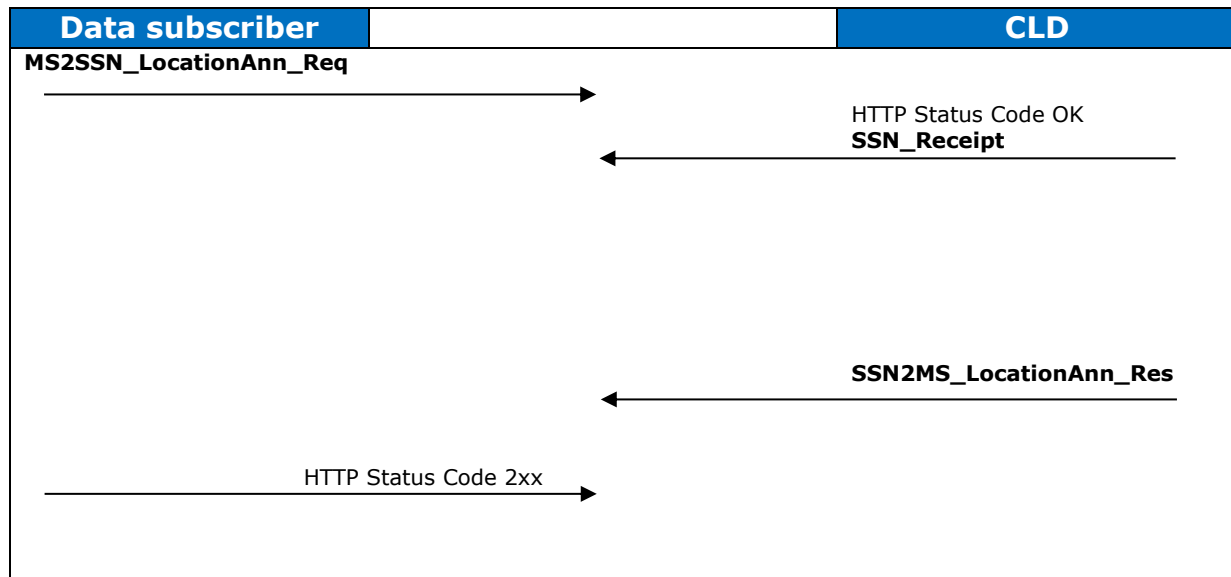
3.3.1 Introduction

An external system can subscribe to CLD for receiving the latest details of locations at each modification or creation of a location.

This section describes the different XML messages provided for this transaction.

3.3.2 Message flow

The following figure outlines the expected two synchronous flows of XML messages (announcement requests and the announcements responses) related to this transaction.



In accordance with the applicable wsdl (refer to Annex A):

- The subscription request (QueryOperation) operation is provided by the CLD. It receives **MS2SSN_LocationAnn_Req** requests from external systems and replies synchronously with an **SSN_Receipt** message and HTTP Status 200 (OK) to the requestor.
- The request announcement Callback (QueryOperationCallback) operation is provided by the external system (DataSubscriberRole). It receives **SSN2MS_LocationAnn_Res** messages (one-way messages without a SOAP response) from CLD and replies to CLD an 2xx status code and an empty HTTP body, i.e. no SOAP envelope.

3.3.3 MS2SSN_LocationAnn_Req message

The **MS2SSN_LocationAnn_Req** message is sent by an MS to CLD for subscription to the Location data announcement (data “push”) service or cancelation of an existing subscription. The message contains information to enable the CLD system (CLD) to configure the service.

3.3.3.1 Message description

| MS2SSN_LocationAnn_Req Elements | Attributes | Occ |
|--|--|------------|
| Header (<i>location:HeaderType</i>) | | 1 |
| | Version (xs:string) | 1 |
| | TestId (xs:string) | 0-1 |
| | SentAt (xs:dateTime) | 1 |
| | From (xs:string) | 1 |
| | To (xs:string) | 1 |
| Body (<i>location:MS2SSN_LocationDetailsAnnouncement_RequestBodyType</i>) | | 1 |
| ESRefId (<i>location:ESRefIdType</i>) | | 1 |
| Subscription (<i>location:SubscriptionType</i>) | | 0-1 |
| | AnnouncementUrl (<i>location:ESUrlType</i>) | 1 |
| | SearchCriteria (<i>location:AnnouncementSearchCriteriaType</i>) | 0-1 |

| MS2SSN_LocationAnn_Req Elements | | Attributes | Occ |
|---------------------------------|--|---|-------------|
| | | Application (<i>location:ApplicationType</i>) | 0-1 |
| | | ApplicationName(<i>location:ApplicationCodeType</i>) | 1 |
| | | SubscriptionPeriod (<i>location:SearchLogsPeriodType</i>) | 0-1 |
| | | StartDateTime (xs:dateTime) | 1 |
| | | EndDateTime (xs:dateTime) | 0-1 |
| | | SubscriptionLimitedtoCountries (<i>location:SubscriptionLimitedtoCountriesType</i>) | 0-1 |
| | | CountryCode (<i>epc:CountryCodeContentType</i>) | 1-99 |
| | | CancelSubscription (<i>location:CanceSubscriptionType</i>) | 0-1 |
| | | ESRefIdofSubscriptionToCancel (<i>location:ESRefIdType</i>) | 1 |

3.3.3.2 Business rules

| No | MS2SSN_LocationAnn_Req Element or Attribute | Action |
|----|---|--|
| 1 | From | Standard practice for the field is to include the reference identification of the originator of the data included in the message as defined in the IdM V2. |
| 2 | Body | A valid Body shall define <ul style="list-style-type: none"> • The <i>ESRefId</i> attribute and • either the <i>Subscription</i> or the <i>CancelSubscription</i> element (choice). |
| 3 | ESRefId | Must be unique for all the announcement requests provided by the external system |
| 4 | Subscription | A valid <i>Subscription</i> element defines the subscriber endpoint URL and the <i>SearchCriteria</i> . |
| 5 | AnnouncementUrl | The URL of the subscriber SOAP node receives the CLD announcements. |
| 6 | SearchCriteria | A valid <i>SearchCriteria</i> shall define at least one of the <i>Application</i> , <i>SubscriptionPeriod</i> , <i>SubscriptionLimitedtoCountries</i> elements |
| 7 | Application | Search criterion for the locations currently active in the maritime application specified by the application code/acronym. |
| 8 | SubscriptionPeriod | 1. StartDateTime will be a timestamp: <ul style="list-style-type: none"> • Within maximum 60 calendar days in the future with respect to SentAt timestamp of the Announcement request message, or • Equal to SentAt timestamp 2. EndDateTime, if provided, will be any future timestamp with respect to SentAt where EndDateTime > StartDateTime 3. If EndDateTime is not provided, CLD will push all the records updates in the CLD starting from the StartDateTime. CLD will continue pushing announcements to the service subscriber |
| 9 | SubscriptionLimitedtoCountries | Search criterion for the locations belong the list of countries. |
| 10 | CancelSubscription | The <i>ESRefIdofSubscriptionToCancel</i> Should be always quoted in case of the cancellation of a previous subscription. The value of the attribute points to the <i>ESRefId</i> of the announcement request that is to be cancelled. |

| No | MS2SSN_LocationAnn_Req Element or Attribute | Action |
|----|---|--|
| 11 | <i>Version attribute</i> | <p>Defines the v1.0 or v2.0 version used.</p> <p>If the Version attribute is 1.0 the reply will be aligned with the previous schema, thus it will not contain the new data group about Port Reception Facilities.</p> <p>If the Version attribute is 2.0 the reply will be aligned with the new schema, thus it will include the new data group about Port Reception Facilities.</p> |

3.3.3.3 Example

Example of a SOAP message for a valid subscription:

```
<soap:Envelope xmlns:soap="http://www.w3.org/2003/05/soap-envelope" xmlns:urn="urn:eu.ema.ssn.location">
  <soap:Header/>
  <soap:Body>
    <urn:MS2SSN_LocationAnn_Req>
      <urn:Header Version="1.0" SentAt="2019-01-16T09:41:53Z" From="pt_nca_qa2" To="SSN"/>
      <urn:Body ESRefId="CLD_TEST_20190116094153">
        <urn:Subscription AnnouncementUrl="https://datasubscriber/CLDLocationService">
          <urn:SearchCriteria>
            <urn:Application ApplicationName="SSN"/>
            <urn:SubscriptionPeriod StartDateTime="2019-01-16T10:00:00Z"/>
            <urn:SubscriptionLimitedtoCountries>
              <urn:CountryCode>PT</urn:CountryCode>
            </urn:SubscriptionLimitedtoCountries>
          </urn:SearchCriteria>
        </urn:Subscription>
      </urn:Body>
    </urn:MS2SSN_LocationAnn_Req>
  </soap:Body>
</soap:Envelope>
```

Example of a SOAP message for a valid subscription cancelation:

```
<soap:Envelope xmlns:soap="http://www.w3.org/2003/05/soap-envelope" xmlns:urn="urn:eu.ema.ssn.location">
  <soap:Header/>
  <soap:Body>
    <urn:MS2SSN_LocationAnn_Req>
      <urn:Header Version="1.0" SentAt="2019-01-16T09:41:53Z" From="pt_nca_qa2" To="SSN"/>
      <urn:Body ESRefId="CLD_TEST_20190116094154">
        <urn:CancelSubscription ESRefIdofSubscriptionToCancel="CLD_TEST_20190116094153"/>
      </urn:Body>
    </urn:MS2SSN_LocationAnn_Req>
  </soap:Body>
</soap:Envelope>
```

3.3.4 SSN2MS_LocationAnn_Res message

The **SSN2MS_LocationAnn_Res** message is sent by CLD to a subscriber to the Location announcement (data "push") service. The message contains all the information registered in the most recent version (the one created just before the dispatch of the announcement message) of the location records in the CLD.

3.3.4.1 Message description

| SSN2MS_LocationAnn_Res Elements | Attributes | Occ |
|--|---|-------------|
| Header (<i>location:Header1Type</i>) | | 1 |
| | Version (xs:string) | 1 |
| | TestId (xs:string) | 0-1 |
| | SentAt (xs:dateTime) | 1 |
| | From (xs:string) | 1 |
| | To (xs:string) | 1 |
| | StatusCode (location:StatusCodeEnumType) | 1 |
| | StatusMessage (xs:string) | 0-1 |
| Body (<i>location:SSN2MS_LocationAnn_ResponseBodyType</i>) | | 0-1 |
| | ESRefId (location:ESRefIdType) | 1 |
| | SSNRefId (location:ESRefIdType) | 1 |
| LocationDetails (<i>location:LocationResponseDetailsType</i>) | | 1-∞ |
| DatabaseRecordInfo (<i>location:DatabaseRecordInfoType</i>) | | 1 |
| CreatedOn (<i>complex</i>) | | 1 |
| | CreatedOn (xsd:dateTime) | 1 |
| | CreatedBy (location:CreatedByType) | 1 |
| LastUpdateOn (<i>complex</i>) | | 0-1 |
| | LastUpdatedOn (xsd:dateTime) | 1 |
| | LastUpdatedBy (location:CreatedByType) | 1 |
| IsActive (<i>epc:YesNoEnumType</i>) | | 1 |
| Digit5LoCode (<i>location:Digit5LoCodeType</i>) | | 1 |
| | LoCode (<i>location:ExactLoCodeType</i>) | 1 |
| LocationNameWithDiacritics (<i>location:NameType</i>) | | 0-1 |
| LocationNameWithoutDiacritics (<i>location:NameType</i>) | | 1 |
| Comments (<i>epc:string</i>) | | 0-1 |
| CountryCode (<i>epc:CountryCodeContentType</i>) | | 1 |
| Type (<i>location:LocationTypeEnumType</i>) | | 1 |
| FunctionsUNECE (<i>location:FunctionsUNECEType</i>) | | 0-8 |
| | Function (location:Length1Type) | 1 |
| LocationPosition (<i>epc:PositionType</i>) | | 0-1 |
| | Latitude (<i>epc:LatitudeType</i>) | 1 |
| | Longitude (<i>epc:LongitudeType</i>) | 1 |
| LocationAreas (<i>location:CGDAreaType</i>) | | 0-10 |
| | Name (<i>epc:string</i>) | 0-1 |
| | Category (<i>epc:string</i>) | 0-1 |
| | ReferenceKey (<i>epc:token</i>) | 1 |
| | Description (<i>epc:string</i>) | 0-1 |
| AlternativeLocationNames (<i>location:AlternativeLocationNamesType</i>) | | 0-1 |

| SSN2MS_LocationAnn_Res Elements | | Attributes | Occ |
|---------------------------------|---|------------|---------------|
| | LocName1 (location:LocationNamesType) | | 0-1 |
| | LocName (location:NameType) | | 1 |
| | LastUpdateDetails (location>LastUpdateDetailsType) | | 1 |
| | LastUpdatedOn (xsd:dateTime) | | 1 |
| | LastUpdatedBy (location:CreatedByType) | | 1 |
| | LocName2 (location:LocationNamesType) | | 0-1 |
| | LocName (location:NameType) | | 1 |
| | LastUpdateDetails (location>LastUpdateDetailsType) | | 1 |
| | LastUpdatedOn (xsd:dateTime) | | 1 |
| | LastUpdatedBy (location:CreatedByType) | | 1 |
| | LocName3 (location:LocationNamesType) | | 0-1 |
| | LocName (location:NameType) | | 1 |
| | LastUpdateDetails (location>LastUpdateDetailsType) | | 1 |
| | LastUpdatedOn (xsd:dateTime) | | 1 |
| | LastUpdatedBy (location:CreatedByType) | | 1 |
| | LocName4 (location:LocationNamesType) | | 0-1 |
| | LocName (location:NameType) | | 1 |
| | LastUpdateDetails (location>LastUpdateDetailsType) | | 1 |
| | LastUpdatedOn (xsd:dateTime) | | 1 |
| | LastUpdatedBy (location:CreatedByType) | | 1 |
| | PortFacility (location:PortFacilityType) | | 0-500 |
| | LastUpdateDetails (location>LastUpdateDetailsType) | | 1 |
| | LastUpdatedOn (xsd:dateTime) | | 1 |
| | LastUpdatedBy (location:CreatedByType) | | 1 |
| | UNECESubsiaryLocation (epc:UNLoCodeContentType) | | 0-1 |
| | PortFacilityDetails (location:PortFacilityDetailsType) | | 0-1 |
| | Name (location:Length1000Type) | | 1 |
| | Description (location:Length2500Type) | | 1 |
| | LoCode (location:LoCodeType) | | 1 |
| | GISIScode (location:GisisType) | | 1 |
| | Position (epc:PositionType) | | 0-1 |
| | Latitude (epc:LatitudeType) | | 1 |
| | Longitude (epc:LongitudeType) | | 1 |
| | PortReceptionFacility (location:PortReceptionFacilityType) | | 0-5000 |
| | LastUpdateDetails (location>LastUpdateDetailsType) | | 1 |
| | LastUpdatedOn (xsd:dateTime) | | 1 |
| | LastUpdatedBy (location:CreatedByType) | | 1 |
| | EMSAPRFID (location:EmsaPrfIdType) | | 1 |
| | WasteType (location:Min3Max4LengthType) | | 1 |
| | TypeOfFacility (location:TypeOfFacilityType) | | 1-4 |

| SSN2MS_LocationAnn_Res Elements | Attributes | Occ |
|---------------------------------|--|-------------|
| | FacilityType (location:Length100Type) | 1 |
| | FacilityTypeDescription (location:Length150Type) | 0-1 |
| | ServiceProvider (location:ServiceProviderType) | 1 |
| | ServiceProviderName (location:Length300Type) | 1 |
| | ServiceProviderAddress (location:Length750Type) | 0-1 |
| | ServiceProviderTelephone (location:Length50Type) | 0-1 |
| | ServiceProviderFax (location:Length50Type) | 0-1 |
| | ServiceProviderTelex (location:Length50Type) | 0-1 |
| | ServiceProviderEmail (location:Length100Type) | 0-1 |
| | ServiceProviderWebsite (location:Length300Type) | 0-1 |
| | DischargeRestrictionLimitations (location:DischargeRestrictionLimitationsType) | 0-1 |
| | MinimumQuantity (location:Integer19Decimal4Digits) | 0-1 |
| | MaximumQuantity (location:Integer19Decimal4Digits) | 0-1 |
| | MaximumDischargeRate (location:Integer19Decimal4Digits) | 0-1 |
| | Other (location:Length500Type) | 0-1 |
| | AvailabilityOfReceptionFacility (location:Length100Type) | 0-1 |
| | AvailabilityOfReceptionFacilityDescription (location:Length350Type) | 0-1 |
| | MinimumPriorNotice (location:Min1Max999IntType) | 0-1 |
| | ChargingSystem (location:Length100Type) | 0-1 |
| | ChargingSystemDescription (location:Length500Type) | 0-1 |
| | AdditionalInformation (location:Length1000Type) | 0-1 |
| | SSNSubsiaryLocations (location:SSNSubsiaryLocationsType) | 0-99 |
| | LoCode (epc:UNLoCodeContentType) | 1 |
| | LastUpdateDetails (location>LastUpdateDetailsType) | 1 |
| | LastUpdatedOn (xsd:dateTime) | 1 |
| | LastUpdatedBy (location:CreatedByType) | 1 |
| | InSeca (epc:YesNoEnumType) | 0-1 |
| | LocationAttributes (location:LocationAttributesType) | 0-1 |
| | Bip (epc:YesNoEnumType) | 1 |
| | TransshipmentPort (epc:YesNoEnumType) | 1 |
| | InEU (epc:YesNoEnumType) | 0-1 |
| | ActiveInlist (location:ActiveInlistType) | 0-1 |
| | ApplicationUsingLocation (CompexType) | 1-99 |
| | Name (location:ApplicationCodeType) | 1 |
| | IsActive (epc:YesNoEnumType) | 1 |
| | LastUpdatedOn (xs:dateTime) | 0-1 |

3.3.4.2 Business rules

The following table describes the applicable business rules. The detailed definition of the attributes is included in Annex B

| No | SSN2MS_LocationAnn_Res Element/ Attribute | Action |
|----|---|--|
| 1 | Header | <ul style="list-style-type: none"> Standard practice for the To field is to include the reference identification of the resuestor of the data defined in the corresponding request message. Standard practice for the FROM field is to identify "SSN" as the provider of the response message. |
| 2 | Body | <p>A valid body will include</p> <ul style="list-style-type: none"> The ESRefId is the ID defined in the corresponding The SSNRefId is the unique Reference id given by CLD in Announcement messages. the data concerning the updated locations. |
| 3 | <i>PortReceptionFacility</i> | <ol style="list-style-type: none"> If the Version attribute is 1.0 the reply will not contain PortReceptionFacility element. If the Version attribute is 2.0 the reply will include the PortReceptionFacility element. |

3.3.4.3 Example

Example of a full body SSN2MS_LocationAnn_Res message:

```
<S:Envelope xmlns:env="http://www.w3.org/2003/05/soap-envelope" xmlns:S="http://www.w3.org/2003/05/soap-envelope">
  <env:Header/>
  <S:Body>
    <ns0:SSN2MS_LocationAnn_Res xmlns="http://www.iso.org/28005-2" xmlns:ns0="urn:eu.emsa.ssn.location">
      <ns0:Header Version="2.0" SentAt="2022-02-08T16:30:26.985Z" From="SSN" To="XX_TEST"
      StatusCode="OK"/>
      <ns0:Body ESRefId="SOAP_CLD_1644337826731" SSNRefId="1644337826969">
        <ns0:LocationDetails>

<ns0:LocationNameWithDiacritics>PERF_CLD_PRE_CONDITION_3453891960191</ns0:LocationNameWithDiacritics>

<ns0:LocationNameWithoutDiacritics>PERF_CLD_PRE_CONDITION_3453891960191</ns0:LocationNameWithoutDiacritics>
          <ns0:Comments>COMMENT</ns0:Comments>
          <ns0:CountryCode>ZZ</ns0:CountryCode>
          <ns0:Type>0</ns0:Type>
          <ns0:FunctionsUNECE Function="1"/>
          <ns0:LocationPosition>
            <Latitude>50.000000</Latitude>
            <Longitude>50.000000</Longitude>
          </ns0:LocationPosition>
          <ns0:AlternativeLocationNames>
            <ns0:LocName1>
              <ns0:LocName>ALT2_3453891960191</ns0:LocName>
              <ns0:LastUpdateDetails>
                <ns0:LastUpdatedOn>2022-02-08T05:19:16.433Z</ns0:LastUpdatedOn>
                <ns0:LastUpdatedBy>XX_CLD_NOTIFIER</ns0:LastUpdatedBy>
              </ns0:LastUpdateDetails>
            </ns0:LocName1>
          </ns0:AlternativeLocationNames>
        </ns0:Body>
      </ns0:SSN2MS_LocationAnn_Res>
    </S:Body>
  </env:Header/>
</S:Envelope>
```

```

<ns0:LocName2>
  <ns0:LocName>ALT3_3453891960191</ns0:LocName>
  <ns0:LastUpdateDetails>
    <ns0:LastUpdatedOn>2022-02-08T05:19:16.433Z</ns0:LastUpdatedOn>
    <ns0:LastUpdatedBy>XX_CLD_NOTIFIER</ns0:LastUpdatedBy>
  </ns0:LastUpdateDetails>
</ns0:LocName2>
<ns0:LocName3>
  <ns0:LocName>ALT4_3453891960191</ns0:LocName>
  <ns0:LastUpdateDetails>
    <ns0:LastUpdatedOn>2022-02-08T05:19:16.433Z</ns0:LastUpdatedOn>
    <ns0:LastUpdatedBy>XX_CLD_NOTIFIER</ns0:LastUpdatedBy>
  </ns0:LastUpdateDetails>
</ns0:LocName3>
<ns0:LocName4>
  <ns0:LocName>ALT_3453891960191</ns0:LocName>
  <ns0:LastUpdateDetails>
    <ns0:LastUpdatedOn>2022-02-08T05:19:16.433Z</ns0:LastUpdatedOn>
    <ns0:LastUpdatedBy>XX_CLD_NOTIFIER</ns0:LastUpdatedBy>
  </ns0:LastUpdateDetails>
</ns0:LocName4>
</ns0:AlternativeLocationNames>
<ns0:PortFacility>
  <ns0:PortFacilityDetails>
    <ns0:Name>PERF_PORT_FACILITY_D9X75AYKAZ</ns0:Name>
    <ns0:Description>DESCRIPTION</ns0:Description>
    <ns0:LoCode>ZZ100</ns0:LoCode>
    <ns0:GISISCode>1000</ns0:GISISCode>
    <ns0:Position>
      <Latitude>0.050000</Latitude>
      <Longitude>-0.050000</Longitude>
    </ns0:Position>
  </ns0:PortFacilityDetails>
  <ns0:LastUpdateDetails>
    <ns0:LastUpdatedOn>2022-02-08T05:19:16.433Z</ns0:LastUpdatedOn>
    <ns0:LastUpdatedBy>XX_CLD_NOTIFIER</ns0:LastUpdatedBy>
  </ns0:LastUpdateDetails>
</ns0:PortFacility>
<ns0:SSNSubsiaryLocations>
  <ns0:LoCode>100</ns0:LoCode>
  <ns0:LastUpdateDetails>
    <ns0:LastUpdatedOn>2022-01-14T17:22:28Z</ns0:LastUpdatedOn>
    <ns0:LastUpdatedBy>XX_TEST</ns0:LastUpdatedBy>
  </ns0:LastUpdateDetails>
</ns0:SSNSubsiaryLocations>
<ns0:InSeca>N</ns0:InSeca>
<ns0:LocationAttributes Bip="N" TranshipmentPort="N"/>
<ns0:PortReceptionFacility EMSAPRFID="PRF_ZZ100_1000" WasteType="101">
  <ns0:LastUpdateDetails>
    <ns0:LastUpdatedOn>2022-02-08T05:19:16.433Z</ns0:LastUpdatedOn>
    <ns0:LastUpdatedBy>SSN</ns0:LastUpdatedBy>
  </ns0:LastUpdateDetails>
  <ns0:TypeOfFacility FacilityType="Fixed"/>
  <ns0:TypeOfFacility FacilityType="Other" FacilityTypeDescription="Other"/>
  <ns0:ServiceProvider ServiceProviderName="service provider"
ServiceProviderAddress="Service Provider Address 11" ServiceProviderTelephone="1234567890"
ServiceProviderFax="1234567890" ServiceProviderTelex="1234567890" ServiceProviderEmail="email@email.test"
ServiceProviderWebsite="website.website"/>
  <ns0:DischargeRestrictionLimitations MinimumQuantity="10" MaximumQuantity="15"
MaximumDischargeRate="5" Other="Other" AvailabilityOfReceptionFacility="Other"
AvailabilityOfReceptionFacilityDescription="Other availability description" MinimumPriorNotice="24"
ChargingSystem="Other" ChargingSystemDescription="Other charging description"
AdditionalInformation="Additional Information"/>
</ns0:PortReceptionFacility>
<ns0:LocationAreas ReferenceKey="16" Name="MRS_italy.shp_5" Category="VTS" Description="VTS
Bonifacio"/>
<ns0:ActiveInlist>
  <ns0:ApplicationUsingLocation Name="CLD" IsActive="Y" LastUpdatedOn="2022-02-
08T05:19:16.433Z"/>

```

```

        <ns0:ApplicationUsingLocation Name="THETIS" IsActive="Y" LastUpdatedOn="2022-02-
08T05:19:16.433Z"/>
        <ns0:ApplicationUsingLocation Name="SSN" IsActive="Y" LastUpdatedOn="2022-02-
08T05:19:16.433Z"/>
        </ns0:ActiveInList>
        <ns0:DatabaseRecordInfo>
            <ns0:CreatedOn CreatedOn="2022-02-08T16:30:26.919Z" CreatedBy="XX_TEST"/>
            <ns0:LastUpdatedOn LastUpdatedOn="2022-02-08T16:30:26.919Z" LastUpdatedBy="XX_TEST"/>
            <ns0:IsActive>N</ns0:IsActive>
        </ns0:DatabaseRecordInfo>
        <ns0:Digit5LoCode>
            <ns0:LoCode>ZZMGN</ns0:LoCode>
        </ns0:Digit5LoCode>
        </ns0:LocationDetails>
    </ns0:Body>
</ns0:SSN2MS_LocationAnn_Res>
</S:Body>
</S:Envelope>
    
```

3.4 Notification mechanism

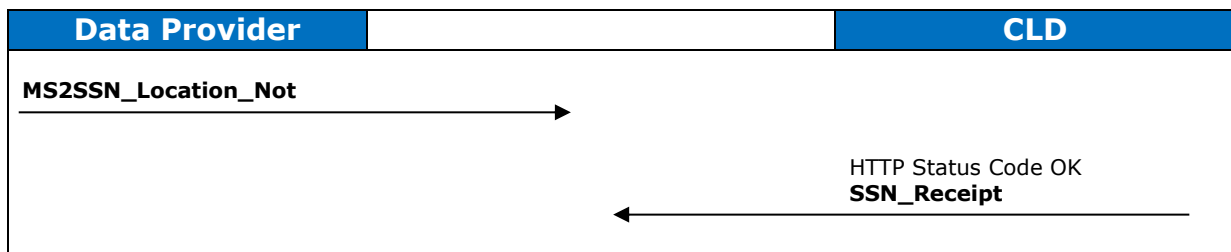
3.4.1 Introduction

The **MS2SSN_Location_Not** message is sent by an external system to notify CLD of new insertions or updates of locations.

This notification contains all the detailed information regarding a location. CLD will store all the details and may provide the information to other external system when requested.

3.4.2 Message flow

The following figure outlines the expected synchronous flow of XML messages related to this transaction.



In accordance with the applicable wsdI (refer to Annex A), the request (notify operation) operation is provided by the CLD. It receives **MS2SSN_Location_Not** requests from external systems and replies with **SSN_Receipt** messages.

3.4.3 MS2SSN_Location_Not message

3.4.3.1 Message description

| MS2SSN_Location_Not Elements | Attributes | Occ |
|--|---------------------|----------|
| Header (<i>location:HeaderType</i>) | | 1 |
| | Version (xs:string) | 1 |

| MS2SSN_Location_Not Elements | Attributes | Occ |
|--|---|-------------|
| | TestId (xs:string) | 0-1 |
| | SentAt (xs:dateTime) | 1 |
| | From (xs:string) | 1 |
| | To (xs:string) | 1 |
| Body (location:MS2SSN_LocationNotification_BodyType) | | 1 |
| LocationNotificationDetails (location: LocationNotificationDetailsType) | | 1 |
| LocationNameWithDiacritics (location:NameType) | | 0-1 |
| LocationNameWithoutDiacritics (location:NameType) | | 1 |
| Comments (epc:string) | | 0-1 |
| CountryCode (epc:CountryCodeContentType) | | 1 |
| Type (location:LocationTypeEnumType) | | 1 |
| FunctionsUNECE (location:FunctionsUNECEType) | | 0-8 |
| | Function(location:Length1Type) | 1 |
| LocationPosition (epc:PositionType) | | 0-1 |
| | Latitude (epc:LatitudeType) | 1 |
| | Longitude (epc:LongitudeType) | 1 |
| LocationAreas (location:CGDReferenceKeyType) | | 0-10 |
| | ReferenceKey (epc:token) | 1 |
| AlternativeLocationNames (location:AlternativeLocationNamesType) | | 0-1 |
| LocName1 (location:LocationNamesType) | | 0-1 |
| | LocName (location:NameType) | 1 |
| | LastUpdateDetails (location:LastUpdateDetailsType) | 1 |
| | LastUpdatedOn (xs:dateTime) | 1 |
| | LastUpdatedBy (location:CreatedByType) | 1 |
| LocName2 (location:LocationNamesType) | | 0-1 |
| | LocName (location:NameType) | 1 |
| | LastUpdateDetails (location:LastUpdateDetailsType) | 1 |
| | LastUpdatedOn (xs:dateTime) | 1 |
| | LastUpdatedBy (location:CreatedByType) | 1 |
| LocName3 (location:LocationNamesType) | | 0-1 |
| | LocName (location:NameType) | 1 |
| | LastUpdateDetails (location:LastUpdateDetailsType) | 1 |
| | LastUpdatedOn (xs:dateTime) | 1 |
| | LastUpdatedBy (location:CreatedByType) | 1 |
| LocName4 (location:LocationNamesType) | | 0-1 |
| | LocName (location:NameType) | 1 |
| | LastUpdateDetails (location:LastUpdateDetailsType) | 1 |
| | LastUpdatedOn (xs:dateTime) | 1 |
| | LastUpdatedBy (location:CreatedByType) | 1 |

| MS2SSN_Location_Not Elements | Attributes | Occ |
|--|---|--------------|
| PortFacility (location:PortFacilityType) | | 0-500 |
| UNECESubsiaryLocation (epc:UNLoCodeContentType) | | 0-1 |
| PortFacilityDetails (location:PortFacilityDetailsType) | | 0-1 |
| | Name (location:Length1000Type) | 1 |
| | Description (location:Length2500Type) | 1 |
| | LoCode (location:LoCodeType) | 1 |
| | GISISCode (location:GisisType) | 1 |
| | Position (epc:PositionType) | 0-1 |
| | Latitude (epc:LatitudeType) | 1 |
| | Longitude (epc:LongitudeType) | 1 |
| LastUpdateDetails (location>LastUpdateDetailsType) | | 1 |
| | LastUpdatedOn (xs:dateTime) | 1 |
| | LastUpdatedBy (location:CreatedByType) | 1 |
| SSNSubsiaryLocations (location:SSNSubsiaryLocationsType) | | 0-99 |
| LoCode (epc:UNLoCodeContentType) | | 1 |
| LastUpdateDetails (LastUpdateDetailsType) | | 1 |
| | LastUpdatedOn (xs:dateTime) | 1 |
| | LastUpdatedBy (location:CreatedByType) | 1 |
| InSeca (epc:YesNoEnumType) | | 0-1 |
| LocationAttributes (location:LocationAttributesType) | | 0-1 |
| | Bip (epc:YesNoEnumType) | 1 |
| | TransshipmentPort (epc:YesNoEnumType) | 1 |
| LocationNotificationStatus (location: LocationNotificationStatusType) | | 1 |
| | RecordUpdateStatus (xs:string) | 1 |
| | Digit5LoCode (location:Digit5LoCodeType) | 1 |
| | LoCode (location:ExactLoCodeType) | 1 |

3.4.3.2 Business rules

The detailed definition of the attributes/ simple types as well as business rules concerning the syntax and business validation of simple types/ attributes is included in Annex B. The following table provides additional business rules concerning data elements/ attributes included in the message

| No | MS2SSN_Location_Not Element or Attribute | Action |
|----|--|--|
| 1 | LoCode | Must be unique in CLD database |
| 2 | Country | Country code defined by the Central Country Database |

3.4.3.3 Example

Example of an XML message:

```
<soapenv:Envelope xmlns:soapenv="http://www.w3.org/2003/05/soap-envelope"
xmlns:urn="urn:eu.ema.ssn.location" xmlns:ns="http://www.iso.org/28005-2">
  <soapenv:Header/>
  <soapenv:Body>
    <urn:MS2SSN_Location_Not>
      <urn:Header From="GRPIR01" SentAt="2017-02-14T10:00:00Z" TestId="b" To="SSN" Version="1.0"/>
      <urn:Body>
        <urn:LocationNotificationDetails>
          <urn:LocationNameWithDiacritics>test_loc_2</urn:LocationNameWithDiacritics>
          <urn:LocationNameWithoutDiacritics>test loc 2</urn:LocationNameWithoutDiacritics>
          <urn:CountryCode>GR</urn:CountryCode>
          <urn:Type>0</urn:Type>
          <urn:FunctionsUNECE Function="1"/>
          <urn:FunctionsUNECE Function="2"/>
          <urn:LocationAreas ReferenceKey="KEY-1"/>
          <urn:LocationAreas ReferenceKey="KEY-2"/>
          <urn:AlternativeLocationNames>
            <urn:LocName1>
              <urn:LocName>test location 2</urn:LocName>
              <urn:LastUpdateDetails>
                <urn:LastUpdatedOn>2017-02-14T10:00:00Z</urn:LastUpdatedOn>
                <urn:LastUpdatedBy>GRPIR01</urn:LastUpdatedBy>
              </urn:LastUpdateDetails>
            </urn:LocName1>
          </urn:AlternativeLocationNames>
          <urn:PortFacility>
            <urn:PortFacilityDetails>
              <urn:Name>name</urn:Name>
              <urn:Description>desc</urn:Description>
              <urn:LoCode>GRXXX</urn:LoCode>
              <urn:GISISCode>0002</urn:GISISCode>
              <urn:Position>
                <ns:Latitude>45</ns:Latitude>
                <ns:Longitude>90</ns:Longitude>
              </urn:Position>
            </urn:PortFacilityDetails>
            <urn:LastUpdateDetails>
              <urn:LastUpdatedOn>2017-02-14T10:00:00Z</urn:LastUpdatedOn>
              <urn:LastUpdatedBy>GRPIR01</urn:LastUpdatedBy>
            </urn:LastUpdateDetails>
          </urn:PortFacility>
          <urn:SSNSubsiaryLocations>
            <urn:LoCode>XXX</urn:LoCode>
            <urn:LastUpdateDetails>
              <urn:LastUpdatedOn>2017-02-14T10:00:00Z</urn:LastUpdatedOn>
              <urn:LastUpdatedBy>GRPIR01</urn:LastUpdatedBy>
            </urn:LastUpdateDetails>
          </urn:SSNSubsiaryLocations>
          <urn:InSeca>Y</urn:InSeca>
          <urn:LocationAttributes Bip="Y" TranshipmentPort="Y"/>
          <urn:LocationNotificationStatus>
            <urn:RecordUpdateStatus>UPDATED</urn:RecordUpdateStatus>
            <urn:Digit5LoCode>
              <urn:LoCode>GRXXX</urn:LoCode>
            </urn:Digit5LoCode>
          </urn:LocationNotificationStatus>
        </urn:LocationNotificationDetails>
      </urn:Body>
    </urn:MS2SSN_Location_Not>
  </soapenv:Body>
</soapenv:Envelope>
```

3.5 SSN Receipt Message

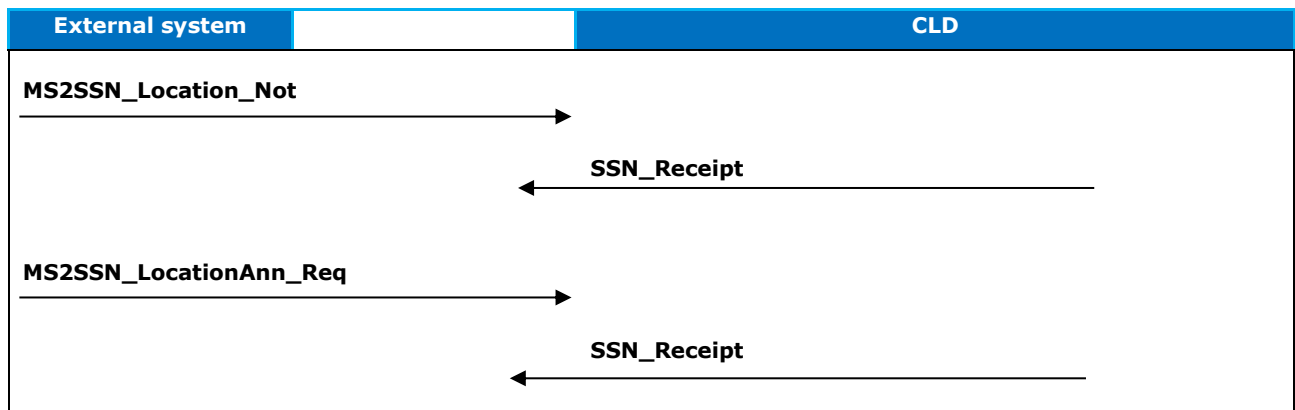
3.5.1 Introduction

The SSN_Receipt message is sent by CLD as the confirmation message to every notification (**MS2SSN_Location_Not**) or subscription (**MS2SSN_LocationAnn_Req**) message from an External System that the message has been successfully validated and processed.

- The SSN_Receipt message Status Code will be 'OK' if the message has been successfully validated based on applicable business rules and processed.
- The SSN_Receipt message Status Code will be 'InvalidFormat' if the message is invalid based on applicable business rules.
The SSN_Receipt message Status Code will be 'AccessDenied' if the message is coming from the system which does not have required permissions, or which does not exist in the IdM V2.

3.5.2 Message flow

The following figure illustrates the cases when this message must be sent:



3.5.3 SSN_Receipt.xml message

3.5.3.1 Message description

| SSN_Receipt Elements | Attributes | Occ |
|---------------------------------|---------------|----------|
| Header (ssn:Header1Type) | | 1 |
| | Version | 1 |
| | TestId | 0-1 |
| | SentAt | 1 |
| | From | 1 |
| | To | 1 |
| | StatusCode | 1 |
| | StatusMessage | 0-1 |

3.5.3.2 Business rules

The following table describes the XML message used for the transaction and the applicable business rules. The detailed definition of the attributes is included in the Annex B of this document.

| Ref | Item (element or sub-element or specific attribute) | Description |
|-----|--|--|
| 1 | SentAt | Format "YYYY-MM-DDThh:mm:ssTZD" Where TZD = time zone designator (Z or +hh:mm or -hh:mm). |

3.5.3.3 Example

Example of SSN Receipt sent to confirm the receipt of a Subscription request.

```
<S:Envelope xmlns:env="http://www.w3.org/2003/05/soap-envelope" xmlns:S="http://www.w3.org/2003/05/soap-envelope">
  <env:Header/>
  <S:Body>
    <ns0:SSN_Receipt xmlns="http://www.iso.org/28005-2" xmlns:ns0="urn:eu.emsa.ssn.location">
      <ns0:Header Version="1.0" TestId="b" SentAt="2019-01-21T08:33:05.273Z" From="SSN" To="GRPIR01"
      StatusCode="OK" StatusMessage="The message processed successfully."/>
    </ns0:SSN_Receipt>
  </S:Body>
</S:Envelope>
```

3.6 Retrieval mechanism

3.6.1 Introduction

The SSN2ES_ListOfPRF_Res message is sent by the CLD to ES systems as a reply to a GET REST call. The user may provide as input parameters the following:

- originator id (OriginatorId)
- country code (Country)
- port location code (PortLocode)
- port reception facility id (EMSAPRFID)
- waste type (WasteType)

The system will check the permission of the user whose user id is set as value to the "OriginatorId" attribute. If there is no such value the system will check the user id included in the HTTP authentication header.

In any case the user should be assigned the LOCATION_REQUESTOR or CLD_READER role in order to get the list of Port Reception Facilities (ListOfPortReceptionFacilities).

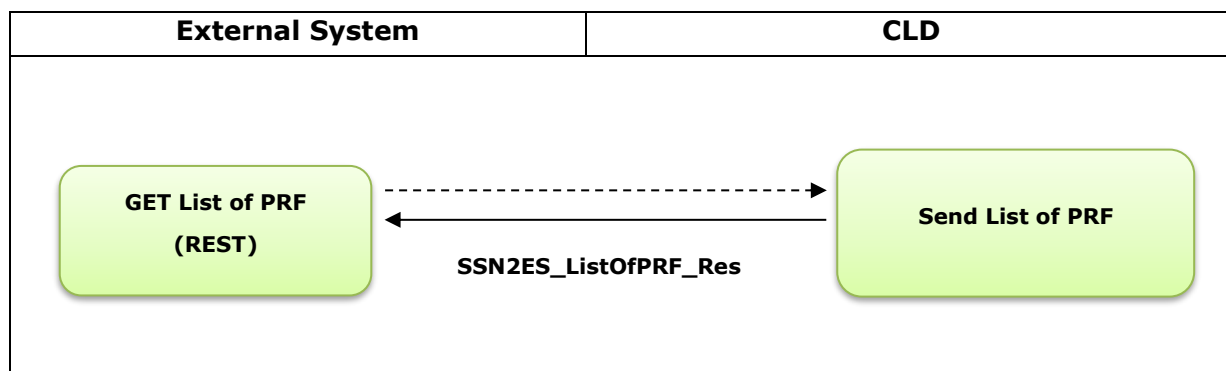
The complete list of input and output parameters are presented below in the relevant OpenAPI specification file below.



Yaml File: [prf-info.yaml](#)

3.6.2 Message flow

The following figure illustrates the cases when this message must be sent:



3.6.3 SSN2ES_ListOfPRF_Res message

3.6.3.1 Message description

| SSN2ES_ListOfPRF_Res | | Attributes | Occ |
|---|---|------------|---------------------|
| Body (<i>prf:SSN2ES_ListOfPRF_ResponseBodyType</i>) | | | 1 |
| RequestOriginator (<i>prf:PrfOriginatorType</i>) | | | 0-1 |
| | OriginatorId (<i>xs:string</i>) | | 1 |
| SearchCriteria (<i>prf:PrfSearchCriteriaType</i>) | | | 0-1 |
| | Country (<i>prf:CountryCodeContentType</i>) | | 0-1 |
| | PortLocode (<i>prf:ExactLoCodeType</i>) | | 0-1 |
| | EMSAPRFID (<i>prf:EmsaPrfIdType</i>) | | 0-1 |
| | WasteType (<i>prf:Min3Max4LengthType</i>) | | 0-1 |
| ListOfPortReceptionFacilities (<i>prf:ListOfPortReceptionFacilitiesType</i>) | | | 0-2147483647 |
| PRFDetails (<i>prf:PrfDetailsType</i>) | | | 1 |
| | LastUpdatedOn (<i>xs:dateTime</i>) | | 1 |
| | EMSAPRFID (<i>prf:EmsaPrfIdType</i>) | | 1 |
| | Country (<i>prf:CountryCodeContentType</i>) | | 1 |
| | PortLocode (<i>prf:ExactLoCodeType</i>) | | 1 |
| | WasteType (<i>prf:Min3Max4LengthType</i>) | | 1 |
| TypeOfFacility (<i>prf:TypeOfFacilityType</i>) | | | 1-4 |
| | FacilityType (<i>prf:Length100Type</i>) | | 1 |
| | FacilityTypeDescription (<i>prf:Length150Type</i>) | | 0-1 |
| ServiceProvider (<i>prf:ServiceProviderType</i>) | | | 1 |
| | ServiceProviderName (<i>prf:Length300Type</i>) | | 1 |
| | ServiceProviderAddress (<i>prf:Length750Type</i>) | | 0-1 |
| | ServiceProviderTelephone (<i>prf:Length50Type</i>) | | 0-1 |
| | ServiceProviderFax (<i>prf:Length50Type</i>) | | 0-1 |

| SSN2ES_ListOfPRF_Res | Attributes | Occ |
|----------------------|---|------------|
| | ServiceProviderTelex (prf:Length50Type) | 0-1 |
| | ServiceProviderEmail (prf:Length100Type) | 0-1 |
| | ServiceProviderWebsite (prf:Length300Type) | 0-1 |
| | Dischargerestriction/limitations (prf:DischargeRestrictionLimitationsType) | 0-1 |
| | MinimumQuantity (prf:Integer19Decimal4Digits) | 0-1 |
| | MaximumQuantity (prf:Integer19Decimal4Digits) | 0-1 |
| | MaximumDischargeRate (prf:Integer19Decimal4Digits) | 0-1 |
| | Other (prf:Length500Type) | 0-1 |
| | AvailabilityOfReceptionFacility (prf:Length100Type) | 0-1 |
| | AvailabilityofReceptionFacilityDescription (prf:Length350Type) | 0-1 |
| | MinimumPriorNotice (prf:Min1Max999IntType) | 0-1 |
| | ChargingSystem (prf:Length100Type) | 0-1 |
| | ChargingSystemDescription (prf:Length500Type) | 0-1 |
| | AdditionalInformation (prf:Length1000Type) | 0-1 |

3.6.3.2 Business rules

The following table describes the applicable business rules.

| No | SSN2ES_ListOfPRF_Res Element or Attribute | Action |
|----|---|---|
| 1 | PrfDetails.LastUpdatedOn | Format "YYYY-MM-dd'T'hh:mm:ss.SSS'Z'" Where TZD = time zone designator (Z or +hh:mm or -hh:mm). Date and time indicating when the notification has been notified to SafeSeaNet. |

3.6.3.3 Example

Examples of valid SSN2ES_ListOfPRF_Res messages can be seen below:

1. Valid Response XML with criteria and originator:

```
<?xml version="1.0" encoding="UTF-8"?>
<SSN2ES_ListOfPRF_Res xmlns="urn:eu.emsa.ssn.location.prf">
  <Body>
    <RequestOriginator OriginatorId="XX_CLD_READER"/>
    <SearchCriteria Country="BE" PortLocode="BEANR" EMSAPRFID="PRF_BEANR_0001" WasteType="101"/>
    <ListOfPortReceptionFacilities>
      <PortReceptionFacility>
        <PrfDetails LastUpdateOn="2021-12-09T07:54:18.892Z" EMSAPRFID="PRF_BEANR_0001" Country="BE"
PortLocode="BEANR" WasteType="101"/>
        <TypeOfFacility FacilityType="Other" FacilityTypeDescription="Other description"/>
        <TypeOfFacility FacilityType="Tanker or barge"/>
        <ServiceProvider ServiceProviderName="SP name" ServiceProviderAddress="SP address"
ServiceProviderTelephone="3457635687" ServiceProviderFax="2342343211" ServiceProviderTelex="8674356234"
ServiceProviderEmail="nomail@mail.com" ServiceProviderWebsite="www.website.com"/>
        <DischargeRestrictionLimitations MinimumQuantity="1200" MaximumQuantity="1800"
MaximumDischargeRate="100" Other="Other" AvailabilityOfReceptionFacility="Other"
AvailabilityOfReceptionFacilityDescription="Only Mondays" MinimumPriorNotice="7" ChargingSystem="Other"
ChargingSystemDescription="Subscription Based" AdditionalInformation="Additional Information"/>
      </PortReceptionFacility>
    </ListOfPortReceptionFacilities>
  </Body>
</SSN2ES_ListOfPRF_Res>
```

```
</ListOfPortReceptionFacilities>
</Body>
</SSN2ES_ListOfPRF_Res>
```

2. Valid Response XML with multiple PRFs:

```
<?xml version="1.0" encoding="UTF-8"?>
<SSN2ES_ListOfPRF_Res xmlns="urn:eu.emsa.ssn.location.prf">
  <Body>
    <ListOfPortReceptionFacilities>
      <PortReceptionFacility>
        <PrfDetails LastUpdateOn="2021-12-09T07:54:18.892Z" EMSAPRFID="PRF_BEANR_0001" Country="BE"
PortLocode="BEANR" WasteType="101"/>
        <TypeOfFacility FacilityType="Other" FacilityTypeDescription="Other description"/>
        <TypeOfFacility FacilityType="Tanker or barge"/>
        <ServiceProvider ServiceProviderName="SP name" ServiceProviderAddress="SP address"
ServiceProviderTelephone="3457635687" ServiceProviderFax="2342343211" ServiceProviderTelex="8674356234"
ServiceProviderEmail="nomail@mail.com" ServiceProviderWebsite="www.website.com"/>
        <DischargeRestrictionLimitations MinimumQuantity="1200" MaximumQuantity="1800"
MaximumDischargeRate="100" Other="Other" AvailabilityOfReceptionFacility="Other"
AvailabilityOfReceptionFacilityDescription="Only Mondays" MinimumPriorNotice="7" ChargingSystem="Other"
ChargingSystemDescription="Subscription Based" AdditionalInformation="Additional Information"/>
      </PortReceptionFacility>
      <PortReceptionFacility>
        <PrfDetails LastUpdateOn="2021-12-09T08:16:15.358Z" EMSAPRFID="PRF_BEANR_0003" Country="BE"
PortLocode="BEANR" WasteType="202"/>
        <TypeOfFacility FacilityType="Tank trunk/portable tank"/>
        <ServiceProvider ServiceProviderName="SP name 2"/>
      </PortReceptionFacility>
    </ListOfPortReceptionFacilities>
  </Body>
</SSN2ES_ListOfPRF_Res>
```

In case the input parameters are not the proper ones, validation errors are thrown. The complete list of the errors presented are included in the OpenAPI specification file found in section 3.6.1.

3.7 Status Codes and Status Messages

3.7.1 Introduction

Every receipt message includes a status code with an optional status message. They are used to provide the result of the processing of a message by CLD or by the External System.

3.7.2 Status codes

A status code is provided in every response or receipt message in the *StatusCode* attribute of the *Header* element. It may have one of the following values:

| Attribute value | Description |
|-----------------|--|
| InvalidFormat | The message was not valid |
| NotAvailable | The message has not been processed because the CGD was not available. |
| ServerError | The message has not been successfully processed due to a server problem (e.g. connection problem, database problem, application problem). |
| OK | The message has been successfully received or the information requested in the corresponding request message has been found (response messages). |

| Attribute value | Description |
|-----------------|---|
| NotFound | The information requested in the request message does not exist. This value may only be used by CLD in a response message. This value is not available for MS2SSNmessages |
| AccessDenied | The user account (identified via the <i>From</i> attribute of the <i>Header</i> element) is not allowed to send the message or does not exist. |

3.7.3 Status messages

Next to the *StatusCode* attribute, a corresponding *StatusMessage* attribute is always provided and may be used to provide additional details regarding the status code.

The status message should be provided in the English language, as it is used for debugging.

Please refer to the description of the XML messages for more details.

ANNEX A - DESCRIPTION OF CLD LOCATION WEB-SERVICE

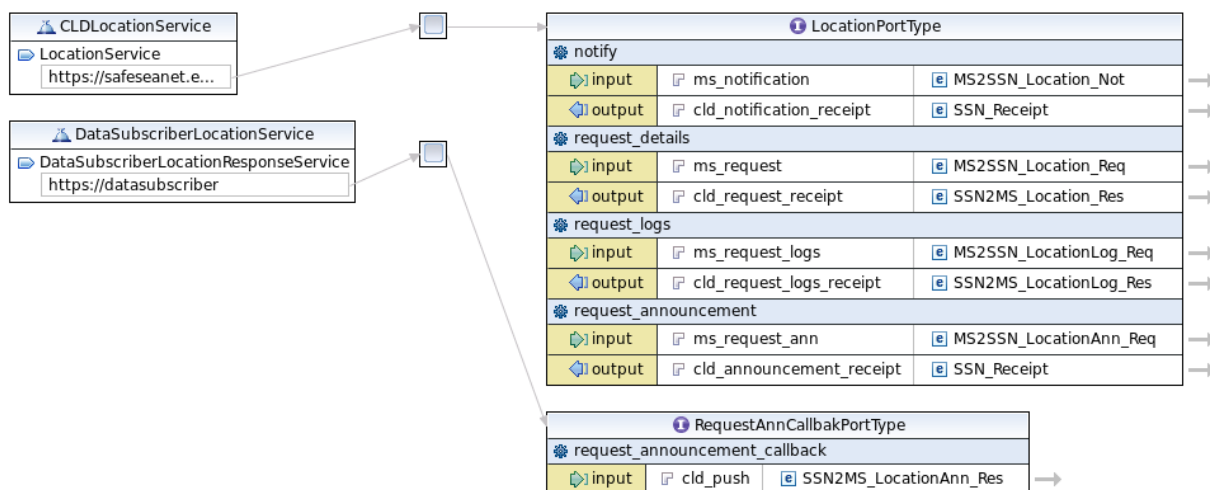


Figure 5: CLD Location web service

ANNEX B – ATTRIBUTES AND SIMPLE TYPE DEFINITIONS

| Attribute/Element (simple type) name | Data Type | Len | Description and general rules | Message(s) that the attribute/ simple type is included |
|--|-----------|-------|--|---|
| AdditionalInformation | Text | 1-100 | Additional information regarding the discharge restrictions and limitations. | SSN2MS_Location_Res SSN2MS_LocationLog_Res SSN2MS_LocationAnn_Res SSN2ES_ListOfPRF_Res |
| AnnouncementUrl xsd: (anyURI) | Text | 1-256 | The URL of the subscriber SOAP node receives the CLD announcements; HTTP(S) protocol. | MS2SSN_LocationAnn_Req |
| ApplicationName | Text | 1-10 | The code/acronym of the application exchanging data with CLD. | MS2SSN_LocationAnn_Req |
| ApplicationNameUsingLocation | Text | 1-10 | The code/acronym of the application exchanging data with CLD. Value equal to ApplicationName | SSN2MS_Location_Res SSN2MS_LocationLog_Res SSN2MS_LocationAnn_Res |
| AvailabilityOfReceptionFacility | Text | 1-100 | Possible values: <ul style="list-style-type: none"> • 24 hour a day, 7 days per week • 24 hour a day, 5 days per week • Business hours only, 7 days per week • Business hours only, 5 days per week • Other | SSN2MS_Location_Res SSN2MS_LocationLog_Res SSN2MS_LocationAnn_Res SSN2ES_ListOfPRF_Res |
| AvailabilityOfReceptionFacilityDescription | Text | 1-350 | Further details regarding the availability of the Reception Facility. | SSN2MS_Location_Res SSN2MS_LocationLog_Res SSN2MS_LocationAnn_Res SSN2ES_ListOfPRF_Res |

| Attribute/Element (simple type) name | Data Type | Len | Description and general rules | Message(s) that the attribute/ simple type is included |
|---|-----------|-------|--|---|
| Category (defined within "LocationAreas" element) | Text | 1-256 | Category of a geographical area defined in the EMSA Central Geo-reference Database (CGD). Refer to the Annex D for the applicable Area Category codes | SSN2MS_Location_Res SSN2MS_LocationLog_Res SSN2MS_LocationAnn_Res |
| ChargingSystem | Text | 1-100 | Possible values: <ul style="list-style-type: none"> • Free of charge • Cost included in port dues • Cost charged in addition to other services • Other | SSN2MS_Location_Res SSN2MS_LocationLog_Res SSN2MS_LocationAnn_Res SSN2ES_ListOfPRF_Res |
| ChargingSystemDescription | Text | 1-500 | Additional details regarding the charging system. | SSN2MS_Location_Res SSN2MS_LocationLog_Res SSN2MS_LocationAnn_Res SSN2ES_ListOfPRF_Res |
| Comments | Text | 1-256 | Any additional information regarding the location. | MS2SSN_Location_Not SSN2MS_Location_Res SSN2MS_LocationAnn_Res SSN2MS_LocationLog_Res |

| Attribute/Element (simple type) name | Data Type | Len | Description and general rules | Message(s) that the attribute/ simple type is included |
|--|-----------|--------|--|---|
| CountryCode | Text | 2 | Two-characters Country code of a Country is registered into the Central Country Database – CCD maintained by EMSA). Accepted values are those associated with standard political entity: Alpha-2 (two-characters) in accordance with standard ISO 3166-1) of the Country as well as the following codes assigned to virtual counties: EU – for “European Commission” XZ – for “Installations in international waters” | MS2SSN_Location_Not MS2SSN_Location_Req SSN2MS_Location_Res MS2SSN_LocationAnn_Req SSN2MS_LocationAnn_Res SSN2MS_LocationLog_Res |
| CreatedBy (location:CreatedByType) | Text | 1-32 | A valid SSN unique user Identifier. of the user who created a location in the CLD | SSN2MS_Location_Res SSN2MS_LocationAnn_Res SSN2MS_LocationLog_Res |
| CreatedOn (xsd:dateTime) | DT | | Date and time of the creation of a location in the CLD | SSN2MS_Location_Res SSN2MS_LocationAnn_Res SSN2MS_LocationLog_Res |
| Description (defined within element “PortFacilityDetails”) | Text | 1-2500 | Facility description in GISIS Maritime Security | MS2SSN_Location_Not SSN2MS_Location_Res SSN2MS_LocationAnn_Res SSN2MS_LocationLog_Res |
| Description (defined within “LocationAreas” element) | Text | 1-256 | Textual description of the area | SSN2MS_Location_Res SSN2MS_LocationLog_Res SSN2MS_LocationAnn_Res |

| Attribute/Element (simple type) name | Data Type | Len | Description and general rules | Message(s) that the attribute/ simple type is included |
|--------------------------------------|-----------|-------|--|--|
| EmsaPrfId | Text | 14 | Unique identified of the PRF The ID should meet the following regular expression: PRF_[A-Z0-9]{5}_[0-9]{4} | SSN2MS_Location_Res SSN2MS_LocationLog_Res SSN2MS_LocationAnn_Res SSN2ES_ListOfPRF_Res |
| EncodeListYesOrNo | Enum | | Possible values:Y or N | MS2SSN_Location_Req |
| EndDateTime (xs:dateTime) | DT | | Ending point of a time window declared to define a query | MS2SSN_LocationAnn_Req |
| ESRefId (location:ESRefIdType) | Text | 1-36 | Reference identifier specified by the original announcement subscriber request. | MS2SSN_LocationAnn_Req SSN2MS_LocationAnn_Res |
| From | Text | 7-32 | The UserID of the system user despatching a message (as defined in SafeSeaNet). Best practice for the field is to include the reference identification of the originator of the data included in the message | MS2SSN_Location_Not MS2SSN_Location_Req SSN2MS_Location_Res MS2SSN_LocationAnn_Req SSN2MS_LocationAnn_Res MS2SSN_LocationLog_Req SSN2MS_LocationLog_Res SSN_Receipt |
| FacilityType | Text | 1-100 | Possible values: <ul style="list-style-type: none"> • Fixed • Tanker or barge • Tank trunk/portable tank • Other | SSN2MS_Location_Res SSN2MS_LocationLog_Res SSN2MS_LocationAnn_Res SSN2ES_ListOfPRF_Res |

| Attribute/Element (simple type) name | Data Type | Len | Description and general rules | Message(s) that the attribute/ simple type is included |
|--------------------------------------|-----------|-------|---|---|
| FacilityTypeDescription | Text | 1-150 | Provides details about the Port Reception Facility. | SSN2MS_Location_Res SSN2MS_LocationLog_Res SSN2MS_LocationAnn_Res SSN2ES_ListOfPRF_Res |
| Function | Text | 1 | Function number (classifier code) as defined by UNECE. Mandatory for UNECE locations. | MS2SSN_Location_Not SSN2MS_Location_Res SSN2MS_LocationAnn_Res SSN2MS_LocationLog_Res |
| GISIScode | Text | 4 | The GISIS code field is a four-digit string corresponding to the port facility's code in the IMO GISIS maritime security database | MS2SSN_Location_Not MS2SSN_Location_Req SSN2MS_Location_Res MS2SSN_LocationAnn_Req SSN2MS_LocationAnn_Res SSN2MS_LocationLog_Res |
| InEU | Enum | | Indicates whether the location is in the EU. This is used for EU locations not associated to an actual country (e.g. XZ) Possible values: Y or N | SSN2MS_Location_Res SSN2MS_LocationAnn_Res SSN2MS_LocationLog_Res |
| InSeca | Enum | | Whether the location is in a Sulphur Emission Control Area (SECA). Possible values: Y or N | MS2SSN_Location_Not SSN2MS_Location_Res SSN2MS_LocationAnn_Res SSN2MS_LocationLog_Res |

| Attribute/Element (simple type) name | Data Type | Len | Description and general rules | Message(s) that the attribute/ simple type is included |
|--------------------------------------|-----------|---|---|--|
| LastUpdatedBy | Text | 1-32 | A valid SSN unique user Identifier of the user who last updated a location in the CLD | MS2SSN_Location_Not SSN2MS_Location_Res SSN2MS_LocationAnn_Res SSN2MS_LocationLog_Res |
| LastUpdateOn (xs:dateTime) | DT | 1 | Date and time indicating when the notification has been notified to SafeSeaNet. Format "YYYY-MM-DDThh:mm:ssTZD" Where TZD = time zone designator (Z or +hh:mm or -hh:mm). | SSN2ES_ListOfPRF_Res |
| LastUpdatedOn (xsd:dateTime) | DT | 1 (0-1 Under Applicatio nUsingLoc ation) | Date and time of the last update of an organisation in the CLD | MS2SSN_Location_Not SSN2MS_Location_Res SSN2MS_LocationAnn_Res SSN2MS_LocationLog_Res |
| Latitude | Decimal | | Latitude in decimal degrees | MS2SSN_Location_Not SSN2MS_Location_Res SSN2MS_LocationAnn_Res SSN2MS_LocationLog_Res |
| LocationNameWithDiacritics | Text | 1-50 | Official name of the location with diacritics. Equals to the Name with diacritics provided by UNECE for UNECE locations (e.g. Zákynthos for Locode GRZTH) | MS2SSN_Location_Not SSN2MS_Location_Res SSN2MS_LocationAnn_Res SSN2MS_LocationLog_Res |

| Attribute/Element (simple type) name | Data Type | Len | Description and general rules | Message(s) that the attribute/ simple type is included |
|--------------------------------------|-----------|------|--|--|
| LocationNameWithoutDiacritics | Text | 1-50 | Name of the location without diacritics. Equals to the Name without diacritics provided by UNECE for UNECE locations (e.g. Zakynthos for Locode GRZTH). | MS2SSN_Location_Not SSN2MS_Location_Res SSN2MS_LocationAnn_Res SSN2MS_LocationLog_Res |
| LocName | Text | 1-50 | Alternative location name (e.g. Zante for Locode GRZTH) | MS2SSN_Location_Not SSN2MS_Location_Res SSN2MS_LocationAnn_Res SSN2MS_LocationLog_Res |
| LoCode | Text | 5 | Unique identifier of the location (concatenation of the 2-character ISO code of a country and a 3-character unique location identifier as defined by UNECE and/or in SSN. Note: SSN specific locodes in the form [Countrycode_888] (e.g.PT888) are used in the context of CLD to identify an unknown port in a given country | MS2SSN_Location_Not SSN2MS_Location_Res SSN2MS_LocationAnn_Res SSN2MS_LocationLog_Res |
| Longitude | Decimal | | Longitude in decimal degrees | MS2SSN_Location_Not SSN2MS_Location_Res SSN2MS_LocationAnn_Res SSN2MS_LocationLog_Res |

| Attribute/Element (simple type) name | Data Type | Len | Description and general rules | Message(s) that the attribute/ simple type is included |
|--------------------------------------|-----------|--|---|---|
| MinimumPriorNotice | Integer | 1-999 | Defines how early the notice should be available. | SSN2MS_Location_Res SSN2MS_LocationLog_Res SSN2MS_LocationAnn_Res SSN2ES_ListOfPRF_Res |
| MinimumQuantity | Decimal | - 99999999 99999999 999.9999 - 99999999 99999999 999.9999 | The minimum quantity. | SSN2MS_Location_Res SSN2MS_LocationLog_Res SSN2MS_LocationAnn_Res SSN2ES_ListOfPRF_Res |
| MaximumDischargeRate | Decimal | - 99999999 99999999 999.9999 - 99999999 99999999 999.9999 | The maximum discharge rate. | SSN2MS_Location_Res SSN2MS_LocationLog_Res SSN2MS_LocationAnn_Res SSN2ES_ListOfPRF_Res |
| MaximumQuantity | Decimal | - 99999999 99999999 999.9999 - 99999999 99999999 999.9999 | The maximum quantity. | SSN2MS_Location_Res SSN2MS_LocationLog_Res SSN2MS_LocationAnn_Res SSN2ES_ListOfPRF_Res |

| Attribute/Element (simple type) name | Data Type | Len | Description and general rules | Message(s) that the attribute/ simple type is included |
|---|-----------|-------------|---|---|
| Name (defined within element "PortFacilityDetails") | Text | 1-1000 | Name of a port, written as the port name is normally written. | MS2SSN_Location_Not SSN2MS_Location_Res SSN2MS_LocationAnn_Res SSN2MS_LocationLog_Res |
| Name (defined within "LocationAreas" element) | Text | 1-50 | The Name of a duty Area defined in COD | SSN2MS_Location_Res SSN2MS_LocationLog_Res SSN2MS_LocationAnn_Res |
| Other | Text | 1-500 | Anything else apart from minimum/maximum quantity and maximum discharge rate. | SSN2MS_Location_Res SSN2MS_LocationLog_Res SSN2MS_LocationAnn_Res SSN2ES_ListOfPRF_Res |
| RecordUpdateStatus | Text | 1-Undefined | Informative Field identifying if MS2SSN_Location_Not is a new notification sent by the data provider (in order to create a new location into the CLD) or if the notification is sent in order to update previously provided data. Note: In the present release no validation is executed in relation to this field and there no processing rules associated to the notification status reported by the field. | MS2SSN_Location_Not |
| ReferenceKey | Text | 1-256 | <i>Reference key of a geographical area defined in the EMSA Central Geo-reference Database (CGD)</i> | MS2SSN_Location_Not SSN2MS_Location_Res SSN2MS_LocationAnn_Res SSN2MS_LocationLog_Res |

| Attribute/Element (simple type) name | Data Type | Len | Description and general rules | Message(s) that the attribute/ simple type is included |
|--------------------------------------|-----------|------|--|--|
| Searchby5digitLoCode | Text | 5 | <p>Unique identifier of the location (concatenation of the 2-character ISO code of a country and a 3-character unique location identifier as defined by UNECE and/ or in SSN.</p> <p>Note: SSN specific locodes in the form [Countrycode_888] (e.g.PT888) are used in the context of CLD to identify an unknown port in a given country</p> | <p>MS2SSN_Location_Req</p> <p>MS2SSN_LocationLog_Req</p> |
| SearchByApplicationCode | Text | 1-10 | Search criterion for the locations currently active in the maritime application specified by the application code/acronym. | MS2SSN_Location_Req |
| SearchByBip | Enum | | Possible values: Y or N | MS2SSN_Location_Req |
| SearchByLocode | Text | 1-5 | Search criterion for the locations for which the LoCode contains a pattern match of the input string. | MS2SSN_Location_Req |
| SearchByName | Text | 1-50 | Search criterion for the locations for which the name with diacritics, or the name without diacritics, or any of the other location names, contains a pattern match of the input string. | MS2SSN_Location_Req |
| SearchByTransshipment | Enum | | Possible values: Y or N | MS2SSN_Location_Req |

| Attribute/Element (simple type) name | Data Type | Len | Description and general rules | Message(s) that the attribute/ simple type is included |
|--------------------------------------|-----------|-------|---|--|
| SentAt | DT | | Date and time the message was sent. If local time is used ES application has to adjust the time to UTC. Format "YYYY-MM-DDThh:mm:ssTZD" Where TZD = time zone designator (Z or +hh:mm or -hh:mm). | MS2SSN_Location_Not MS2SSN_Location_Req SSN2MS_Location_Res MS2SSN_LocationAnn_Req SSN2MS_LocationAnn_Res MS2SSN_LocationLog_Req SSN2MS_LocationLog_Res SSN_Receipt |
| ServiceProviderAddress | Text | 1-750 | The address of the provider of the service. | SSN2MS_Location_Res SSN2MS_LocationLog_Res SSN2MS_LocationAnn_Res SSN2ES_ListOfPRF_Res |
| ServiceProviderEmail | Text | 1-100 | The email address of the service provider | SSN2MS_Location_Res SSN2MS_LocationLog_Res SSN2MS_LocationAnn_Res SSN2ES_ListOfPRF_Res |
| ServiceProviderFax | Text | 1-50 | The fax number of the provider of the service. | SSN2MS_Location_Res SSN2MS_LocationLog_Res SSN2MS_LocationAnn_Res SSN2ES_ListOfPRF_Res |

| Attribute/Element (simple type) name | Data Type | Len | Description and general rules | Message(s) that the attribute/ simple type is included |
|--------------------------------------|-----------|-------|--|---|
| ServiceProviderName | Text | 1-300 | The name of the provider of the service. | SSN2MS_Location_Res SSN2MS_LocationLog_Res SSN2MS_LocationAnn_Res SSN2ES_ListOfPRF_Res |
| ServiceProviderTelephone | Text | 1-50 | The service provider's telephone number. | SSN2MS_Location_Res SSN2MS_LocationLog_Res SSN2MS_LocationAnn_Res SSN2ES_ListOfPRF_Res |
| ServiceProviderTelex | Text | 1-50 | The service provider's telex number. | SSN2MS_Location_Res SSN2MS_LocationLog_Res SSN2MS_LocationAnn_Res SSN2ES_ListOfPRF_Res |
| ServiceProviderWebsite | Text | 1-300 | The service provider's website. | SSN2MS_Location_Res SSN2MS_LocationLog_Res SSN2MS_LocationAnn_Res SSN2ES_ListOfPRF_Res |
| SSNRefId | Text | 1-36 | Reference id given by CLD in Announcement messages. | SSN2MS_LocationAnn_Res |
| StartDateTime | DT | | Starting point of a time window declared to define a query | MS2SSN_Location_Req MS2SSN_LocationAnn_Req MS2SSN_LocationLog_Req |

| Attribute/Element (simple type) name | Data Type | Len | Description and general rules | Message(s) that the attribute/ simple type is included |
|--------------------------------------|-----------|-------|--|--|
| Status | Enum | | Indicates whether the location is active in the CLD. Possible values:Y or N | SSN2MS_Location_Res SSN2MS_LocationAnn_Res SSN2MS_LocationLog_Res |
| StatusCode | ENUM | | Global status code, refer to section 3.7.2 | SSN2MS_Location_Res SSN2MS_LocationAnn_Res SSN2MS_LocationLog_Res SSN_Receipt |
| StatusMessage (xs:string) | Text | 0-255 | Global status message string. Refer to section 3.7.3 | SSN2MS_Location_Res SSN2MS_LocationAnn_Res SSN2MS_LocationLog_Res SSN_Receipt |
| TestId (xs:string) | Text | 0-8 | Test Case identification. Only useful for testing | MS2SSN_Location_Not MS2SSN_Location_Req SSN2MS_Location_Res MS2SSN_LocationAnn_Req SSN2MS_LocationAnn_Res MS2SSN_LocationLog_Req SSN2MS_LocationLog_Res SSN_Receipt |

| Attribute/Element (simple type) name | Data Type | Len | Description and general rules | Message(s) that the attribute/ simple type is included |
|--------------------------------------|-----------|------|---|--|
| To | Text | 7-32 | The reference identification of the recipient of a message exchanged | MS2SSN_Location_Not MS2SSN_Location_Req SSN2MS_Location_Res MS2SSN_LocationAnn_Req SSN2MS_LocationAnn_Res MS2SSN_LocationLog_Req SSN2MS_LocationLog_Res SSN_Receipt |
| Type | Enum | | Type of the location (e.g. SSN specific, UNECE). Possible values:0 or 1 | SSN2MS_Location_Res SSN2MS_LocationAnn_Res SSN2MS_LocationLog_Res |
| UNECESubsidiaryLocation | Text | 3 | Subsidiary location within the port or port approaches (e.g. a terminal in the port, a berth, an anchorage site, a fairway section etc) as defined in UNECE recommendation 16 | MS2SSN_Location_Not SSN2MS_Location_Res SSN2MS_LocationAnn_Res SSN2MS_LocationLog_Res |
| UNLoCode | Text | 3 | Three-letter location code as defined in UNECE R16. The location code (lower case) "xxx" is reserved for an unknown location code. | MS2SSN_Location_Not SSN2MS_Location_Res SSN2MS_LocationAnn_Res SSN2MS_LocationLog_Res |

| Attribute/Element (simple type) name | Data Type | Len | Description and general rules | Message(s) that the attribute/ simple type is included |
|--------------------------------------|-----------|-----|---|--|
| Version (xs:string) | Text | 3 | CLD web services curent version ('x.x') | MS2SSN_Location_Not MS2SSN_Location_Req SSN2MS_Location_Res MS2SSN_LocationAnn_Req SSN2MS_LocationAnn_Res MS2SSN_LocationLog_Req SSN2MS_LocationLog_Res SSN_Receipt |
| WasteType | Text | 3-4 | Waste type is presented as a 3 digit code. (Refer to Annex D – Definition of Waste Type Codes) | SSN2MS_Location_Res SSN2MS_LocationLog_Res SSN2MS_LocationAnn_Res SSN2ES_ListOfPRF_Res |
| ZippedLocationListInBase64 | Base64 | | Base64 encoded content including a list of locations. For each of the location the list reports the attributes foreseen in the LocationDetails ELEMENT foreseen in the structure of the SSN2MS_Location_Res | SSN2MS_Location_Res |

ANNEX C– LIST OF APPLICATION CODES (INDICATIVE)

The list below provides the list of application codes maintained in the CLD. Additional applications may be defined in the future, if need will arise.

| Application Code | Application Name | Description |
|------------------|---------------------------|--|
| CLD | Central Location Database | The CLD includes all LOCODEs listed in the UN/LOCODE list and SSN Specific locations, as well as port facilities information stemming from the IMO Maritime Security module of the Global Integrated Shipping Information System (GISIS). |
| SSN | SafeSeaNet | <p>Only UN/LOCODEs with functions 1 and 7 (if confirmed by a reliable source as being an off-shore installation) and SSN specific locations as well as port facilities information stemming from the IMO Maritime Security module of the Global Integrated Shipping Information System (GISIS), are assigned to SSN application in the CLD.</p> <p>The LOCODEs assigned to SSN application code are stored in the SSN operational locode registry and they should be used by the National SSN systems.</p> |

ANNEX D – DEFINITION OF THE WASTE TYPE CODES

| Code | Definition |
|----------------------------------|---------------------------------------|
| MARPOL Annex I - related | |
| 101 | Oily bilge water |
| 102 | Oily residues (sludge) |
| 103 | Oily tank washings (slops) |
| 104 | Dirty ballast water |
| 105 | Scale and sludge from tanker cleaning |
| 999 | Other |
| MARPOL Annex II - related | |
| 201 | Category X substance |
| 202 | Category Y substance |
| 203 | Category Z substance |
| 204 | OS - other substances |
| MARPOL Annex IV - related | |
| 401 | Sewage |
| MARPOL Annex V - related | |
| 501 | A. Plastics |
| 502 | B. Food wastes |
| 503 | C. Domestic wastes |
| 504 | D. Cooking oil |
| 505 | E. Incinerator ashes |
| 506 | F. Operational wastes |
| 507 | G. Animal carcasses |

| | |
|---|---|
| 508 | H. Fishing gear |
| 509 | I. E-waste |
| 510 | J. Cargo residues (non-HME) |
| 511 | K. Cargo residues (HME) |
| MARPOL Annex VI - related | |
| 601 | Ozone-depleting substances and equipment containing such substances |
| 602 | Exhaust gas-cleaning residues |
| Other waste, not covered by MARPOL | |
| 991 | Passively fished waste |

END OF DOCUMENT